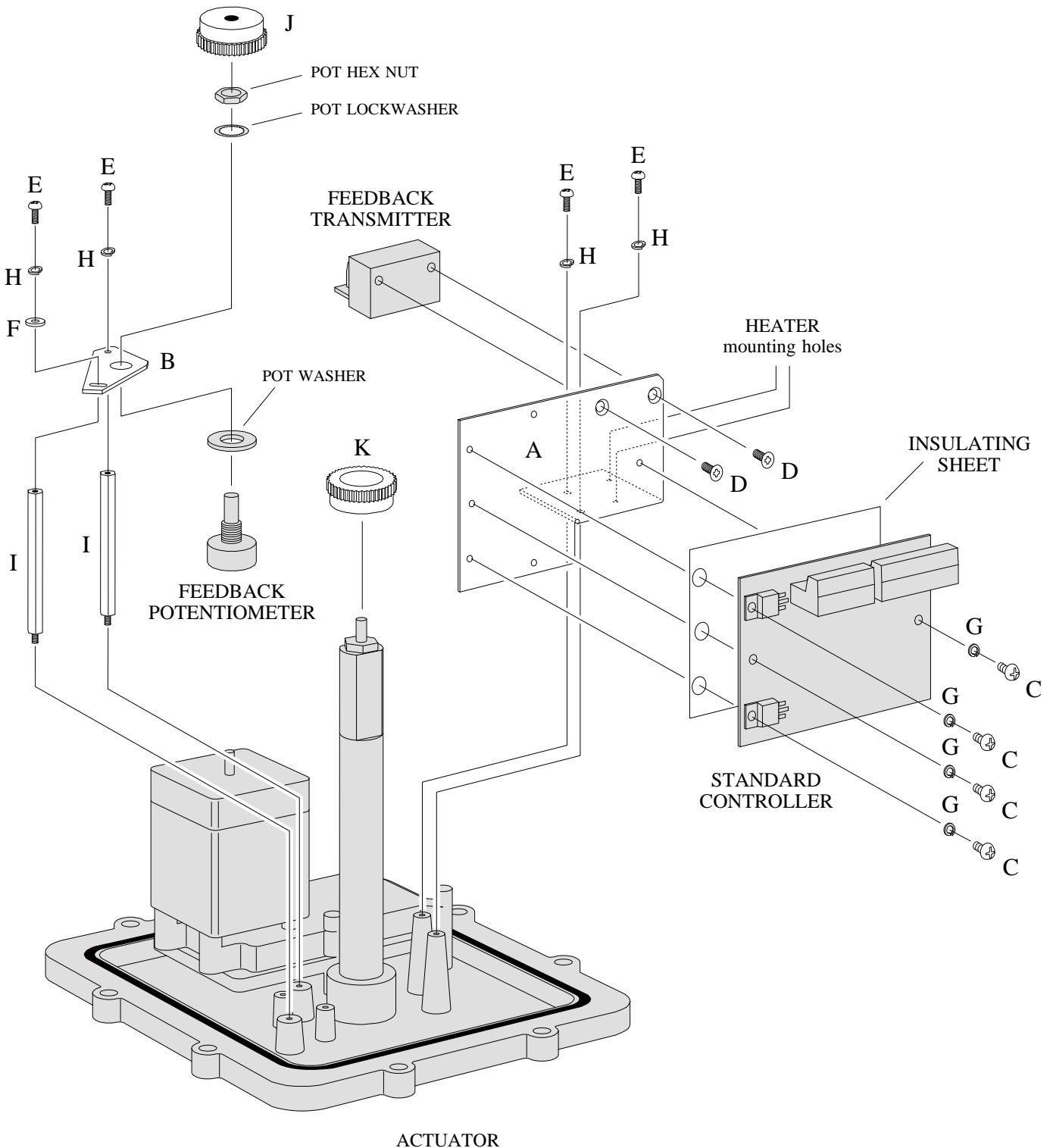
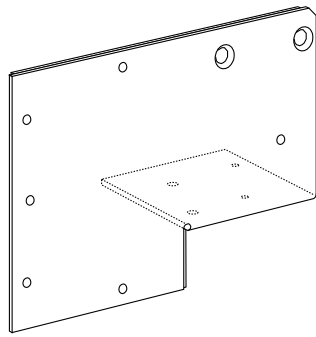


ASSEMBLY DIAGRAM

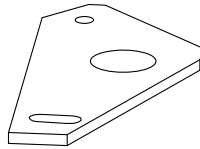
Asahi A92, B92, C92, S92 Actuators



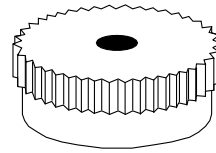
KIT CONTENTS



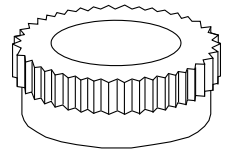
A



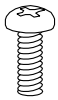
B



J



K



C



D



E



F



G



H



I

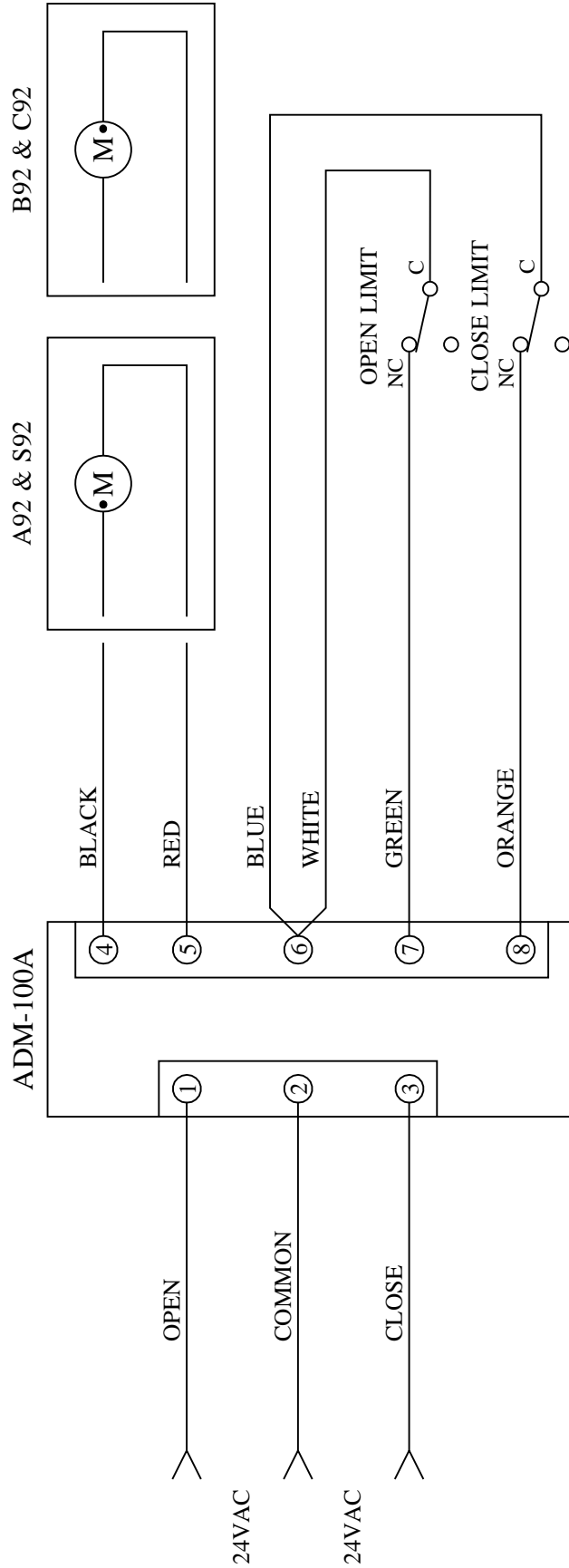
ITEM	QTY	DESCRIPTION
A	1	positioner bracket
B	1	potentiometer bracket
C	4	#6-32 x 0.375" pan head screw
D	2	#6-32 x 0.375" flat head screw
E	4	#4-40 x 0.312" pan head screw
F	1	#4 flat washer
G	4	#6 split ring lockwasher
H	4	#4 split ring lockwasher
I	2	2.25" male/female hex spacer
J	1	potentiometer gear
K	1	output shaft gear
not shown	1	5.5" white wire
not shown	1	5.5" blue wire
not shown	1	5.5" black wire
not shown	1	5.5" red wire
not shown	1	10.5" green wire w/spade terminal
not shown	1	10.5" orange wire w/spade terminal
not shown	1	10.5" blue wire w/spade terminal
not shown	1	10.5" white wire w/spade terminal
not shown	1	butt connector
not shown	3	6.3" nylon tie wrap

AC to DC MODULE

WIRING DIAGRAM

Asahi A92, B92, C92, S92 Actuators

The ADM-100A AC to DC Module allows a 24VDC actuator to be controlled like a 24VAC split-phase motor actuator.

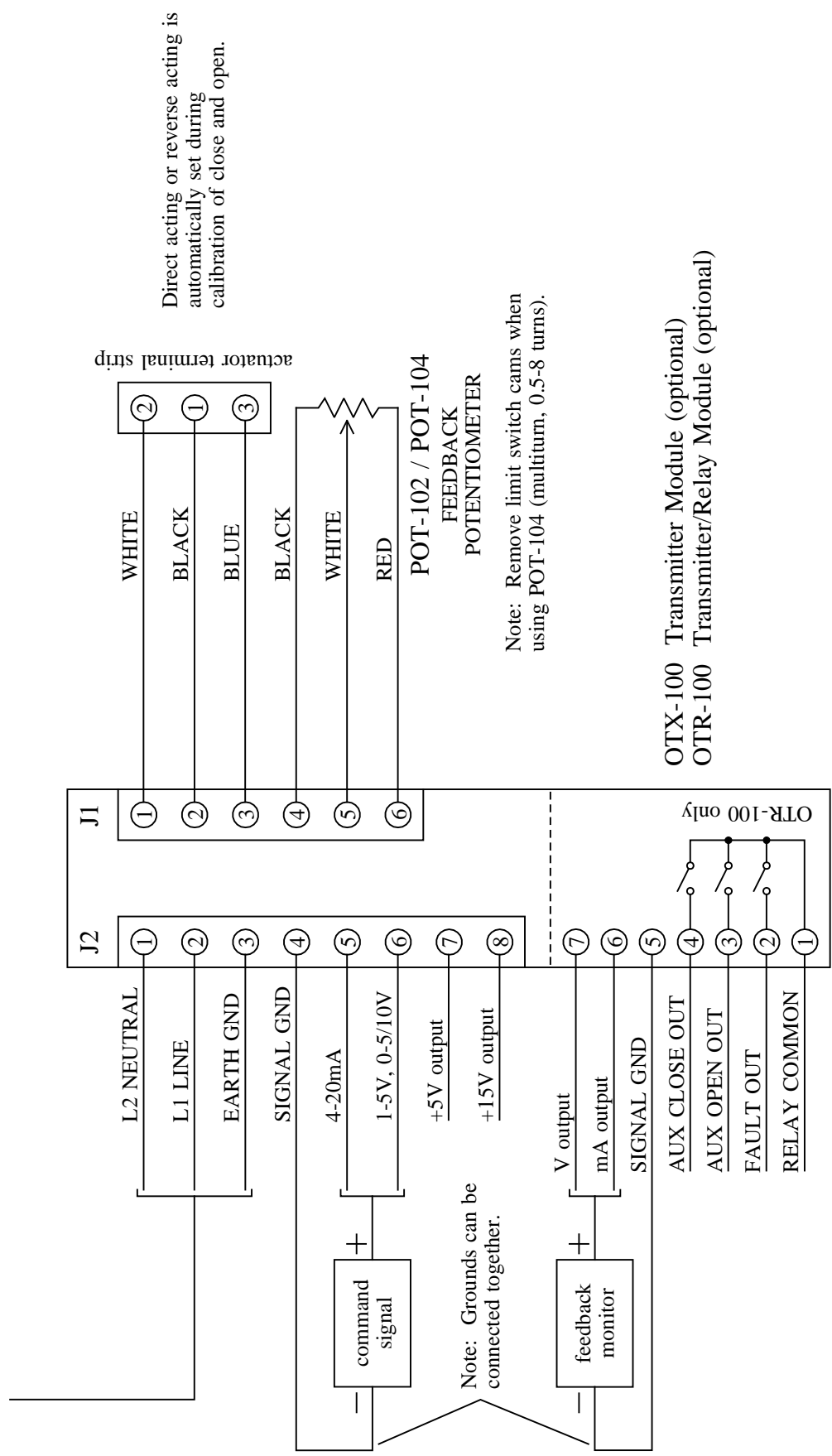


AC DIGITAL POSITIONERS

WIRING DIAGRAM

Asahi A92, B92, C92, S92 Actuators

117VAC DHC-100
234VAC DHC-100A



Direct acting or reverse acting is automatically set during calibration of close and open.

Note: Remove limit switch cams when using POT-104 (multiturn, 0.5-8 turns).

OTX-100 Transmitter Module (optional)
OTR-100 Transmitter/Relay Module (optional)

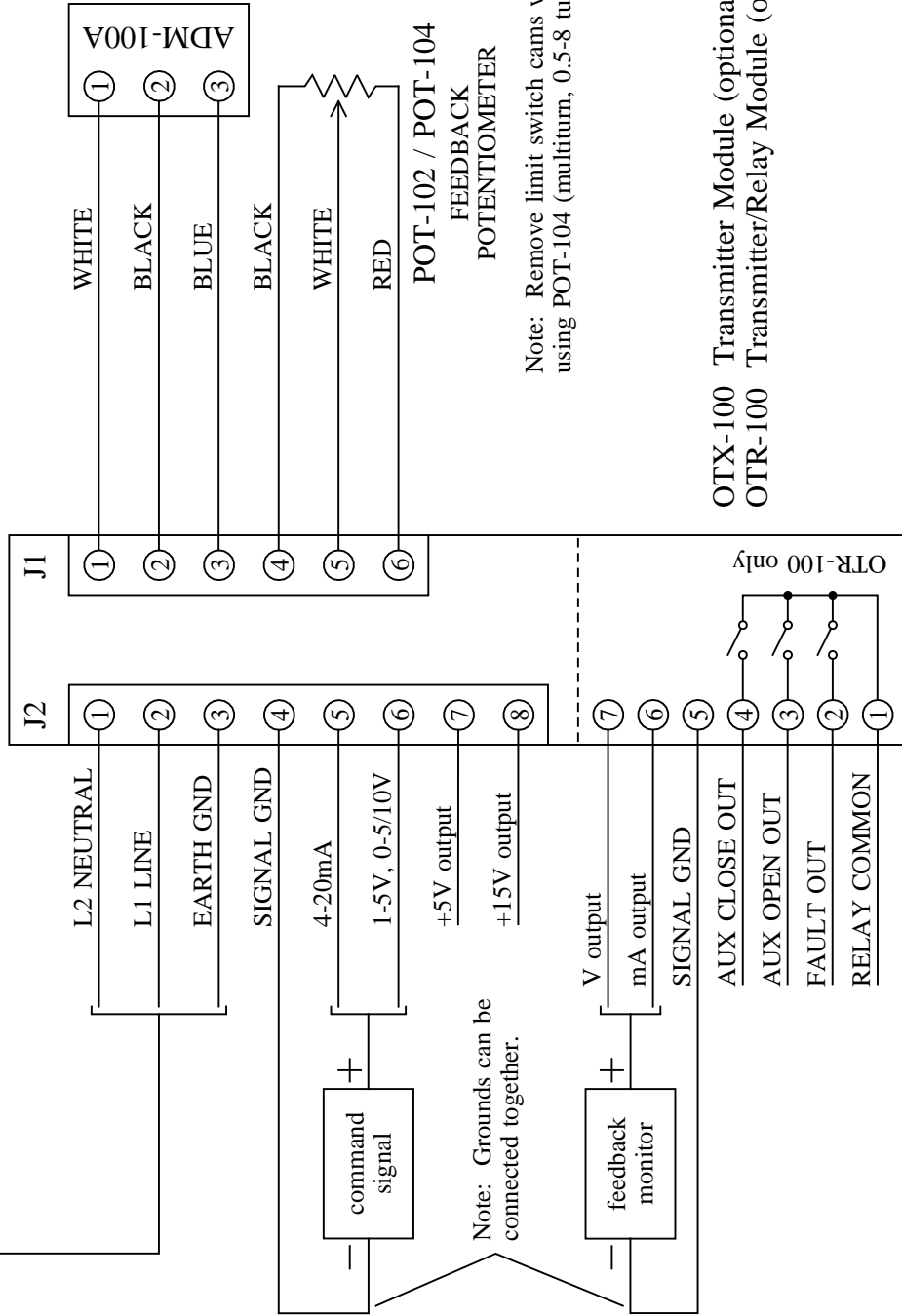
24VAC DIGITAL POSITIONER

WIRING DIAGRAM

Asahi A92, B92, C92, S92 Actuators

24VAC DHC-100B

NOTE: This application uses a 24VDC actuator with an ADM-100A AC to DC Module installed. See ADM-100A wiring.

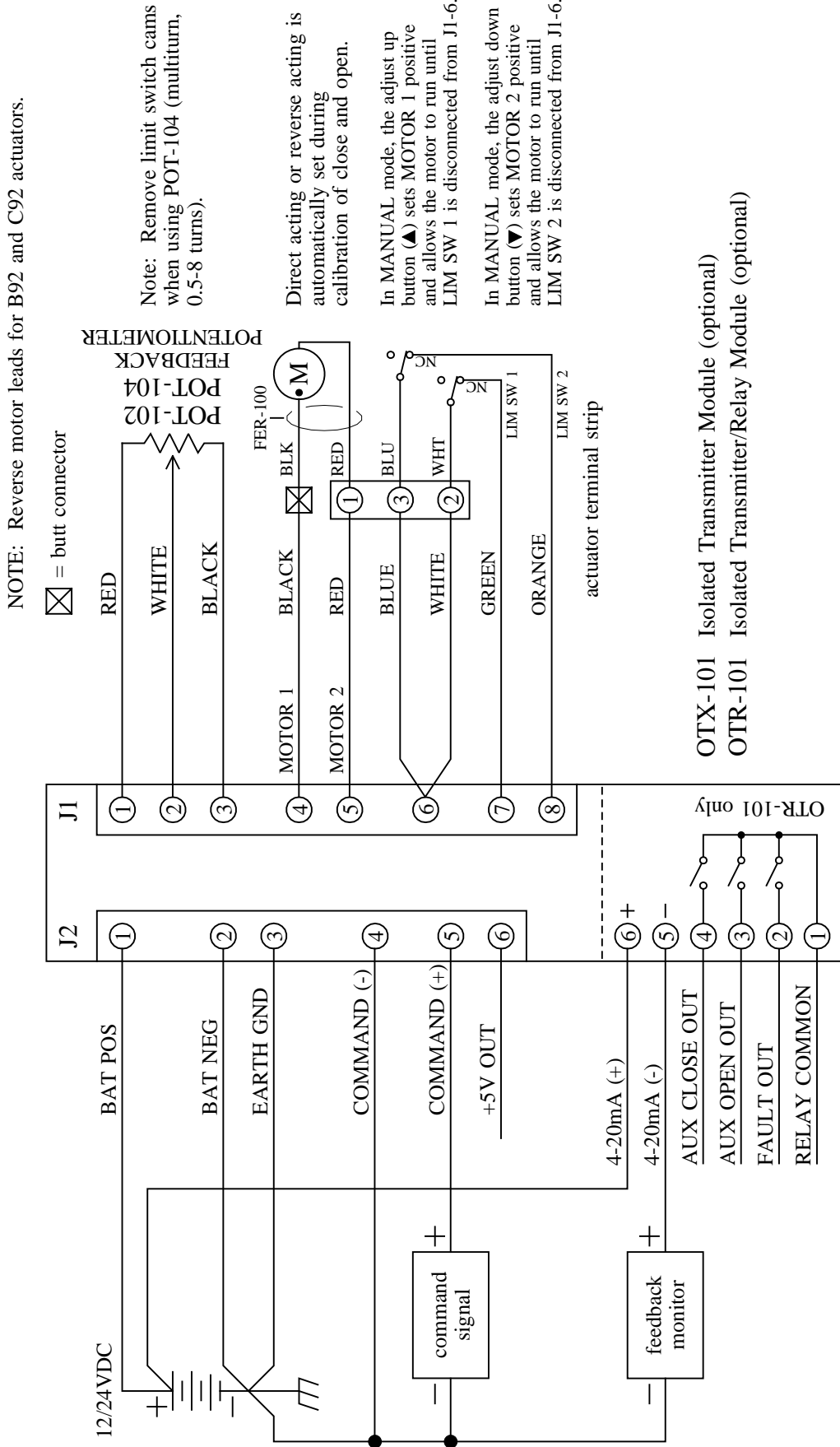


DC DIGITAL POSITIONER

WIRING DIAGRAM

Asahi A92, B92, C92, S92 Actuators

DHC-400



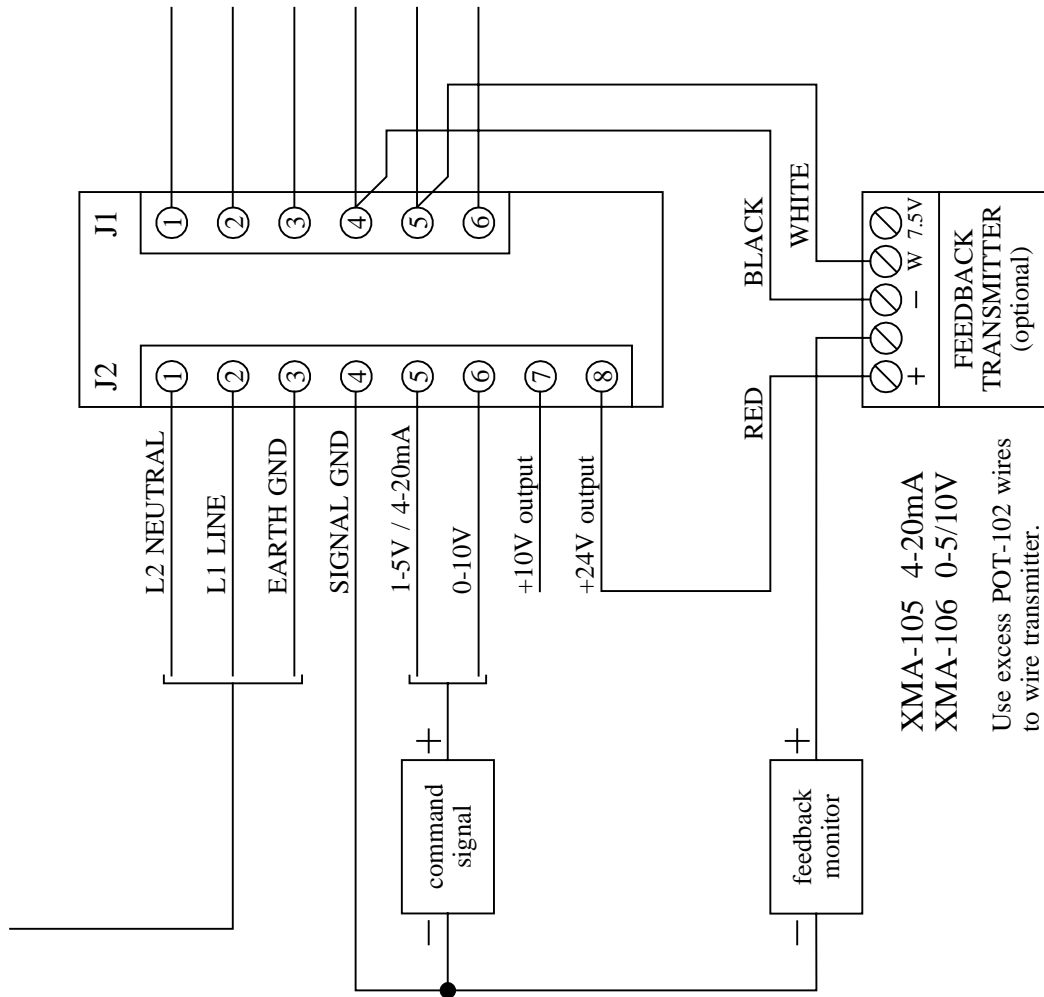
OTX-101 Isolated Transmitter Module (optional)
 OTR-101 Isolated Transmitter/Relay Module (optional)

AC ANALOG / LOG RATE POSITIONERS (standard)

WIRING DIAGRAM

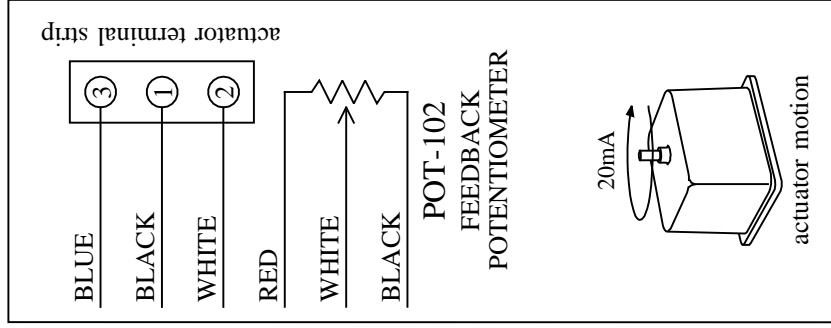
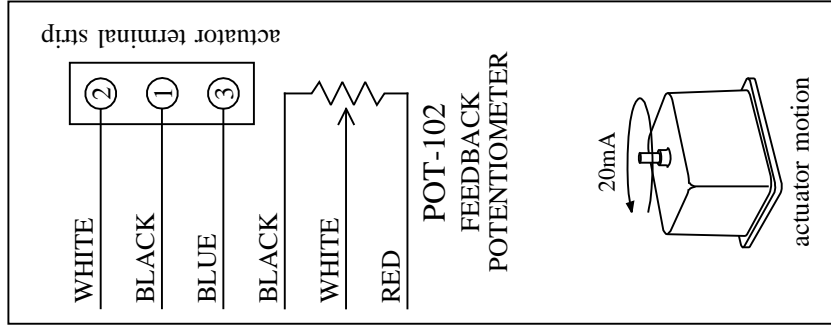
Asahi A92, B92, C92, S92 Actuators

117VAC AMC-100A / LRC-101A / LRC-101G
 234VAC AMC-100C / LRC-101B / LRC-101H



XMA-105 4-20mA
 XMA-106 0-5/10V

Use excess POT-102 wires to wire transmitter.

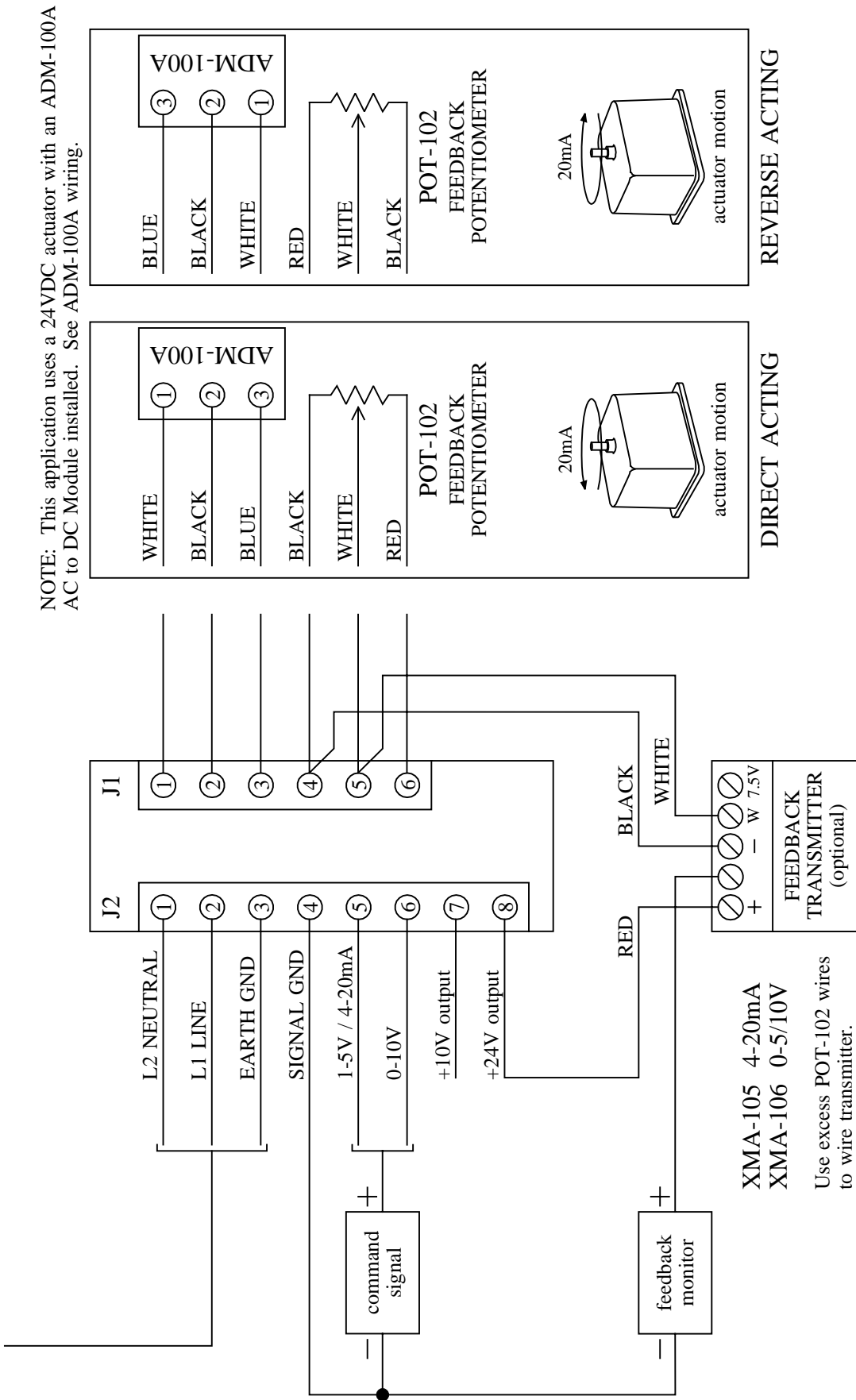


24VAC ANALOG / LOG RATE POSITIONERS (standard)

WIRING DIAGRAM

Asahi A92, B92, C92, S92 Actuators

24VAC AMC-101E / LRC-101C / LRC-101I

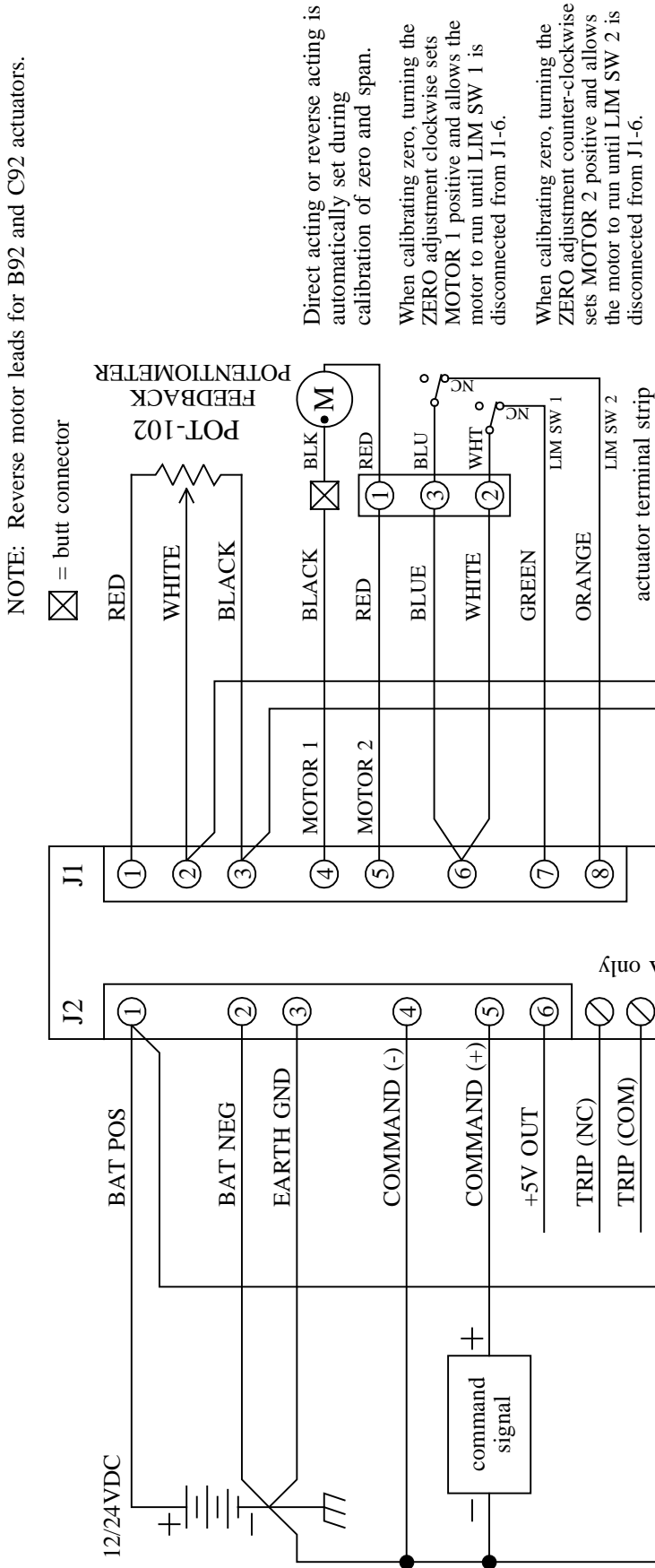


DC ANALOG POSITIONERS

WIRING DIAGRAM

Asahi A92, B92, C92, S92 Actuators

DMC-102 / DMC-102A



Direct acting or reverse acting is automatically set during calibration of zero and span.

When calibrating zero, turning the ZERO adjustment clockwise sets MOTOR 1 positive and allows the motor to run until LIM SW 1 is disconnected from J1-6.

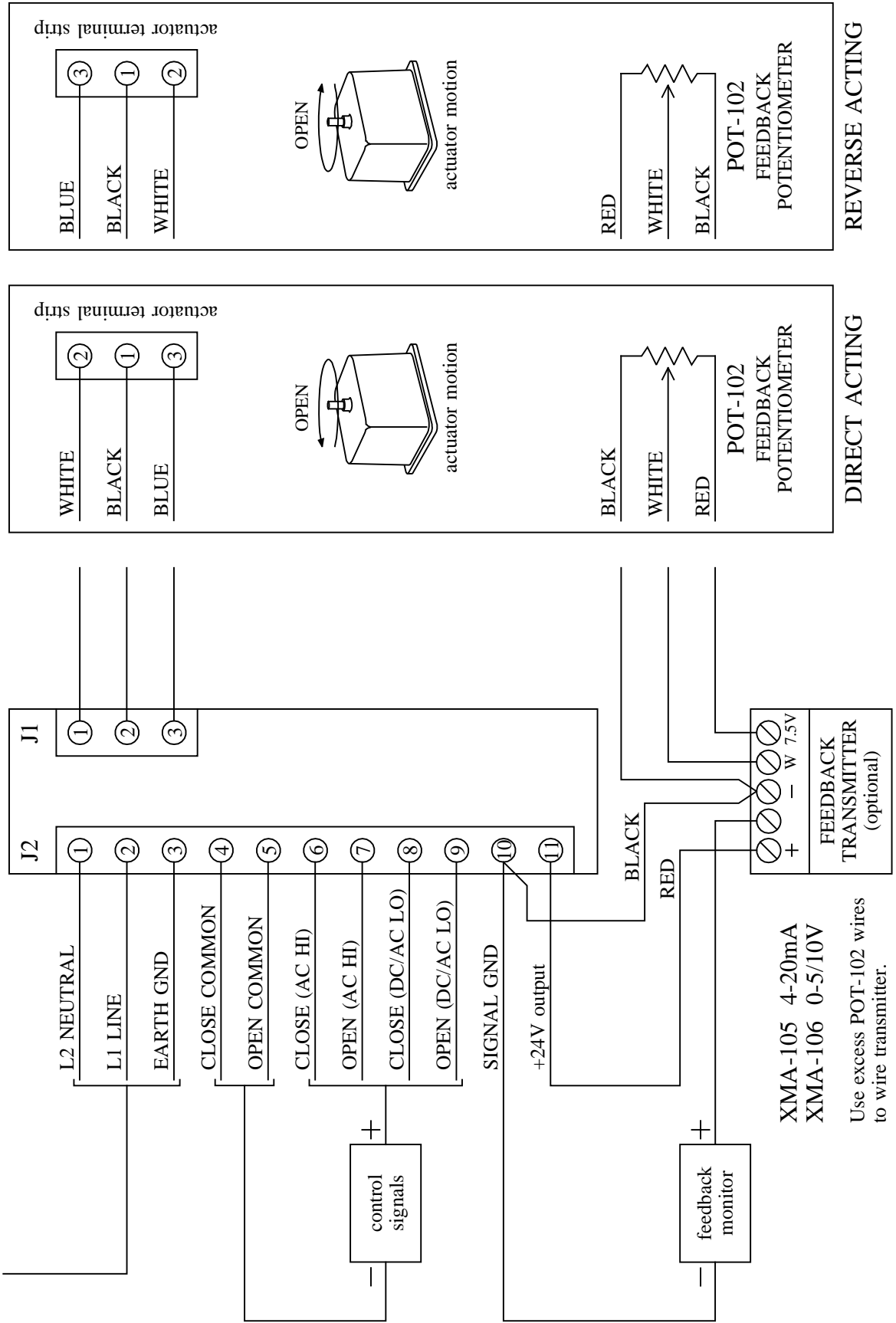
When calibrating zero, turning the ZERO adjustment counter-clockwise sets MOTOR 2 positive and allows the motor to run until LIM SW 2 is disconnected from J1-6.

AC ON/OFF CONTROLLERS

WIRING DIAGRAM

Asahi A92, B92, C92, S92 Actuators

117VAC AMI-103
234VAC AMI-103A



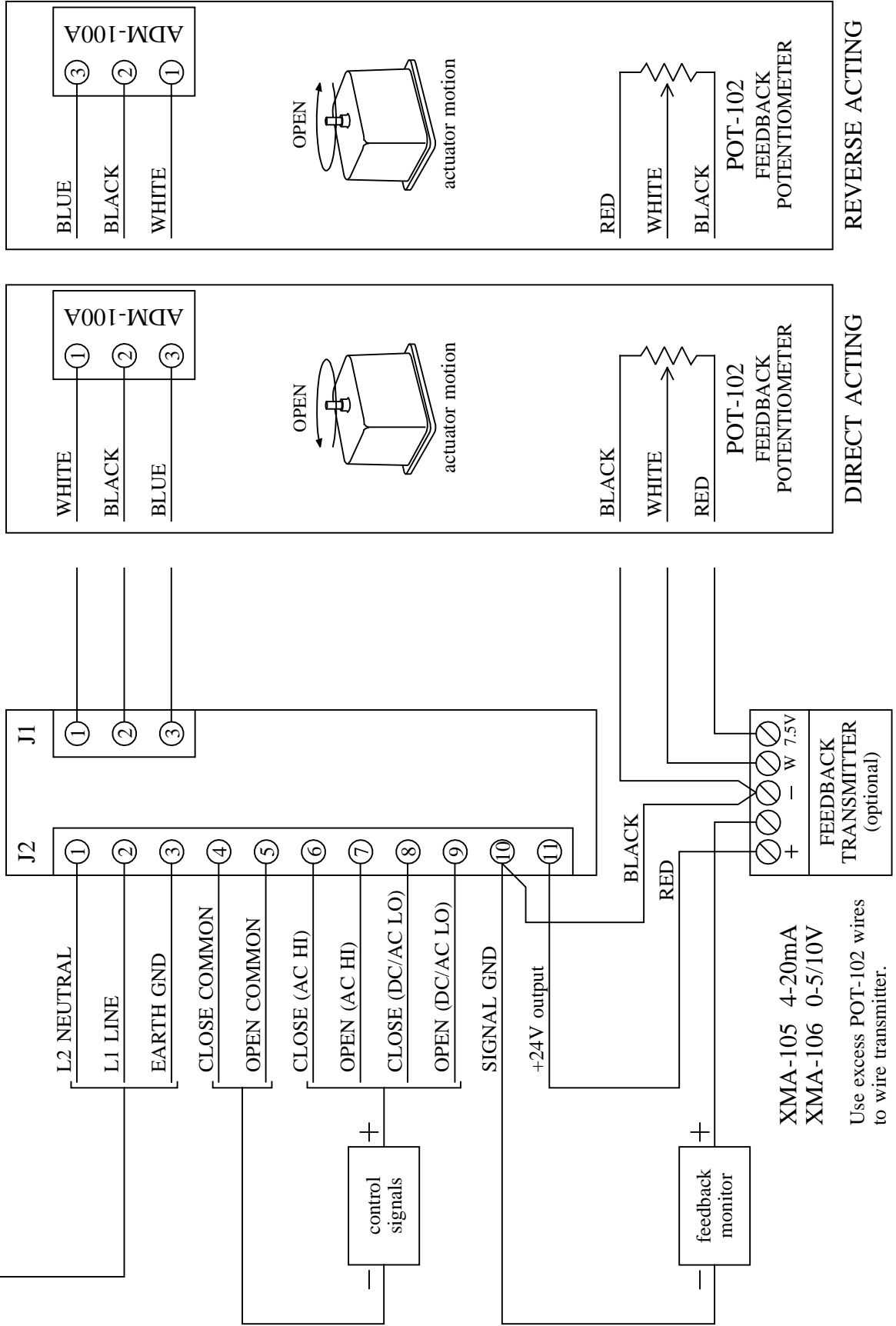
24VAC ON/OFF CONTROLLERS

WIRING DIAGRAM

Asahi A92, B92, C92, S92 Actuators

24VAC AMI-103B

NOTE: This application uses a 24VDC actuator with an ADM-100A AC to DC Module installed. See ADM-100A wiring.

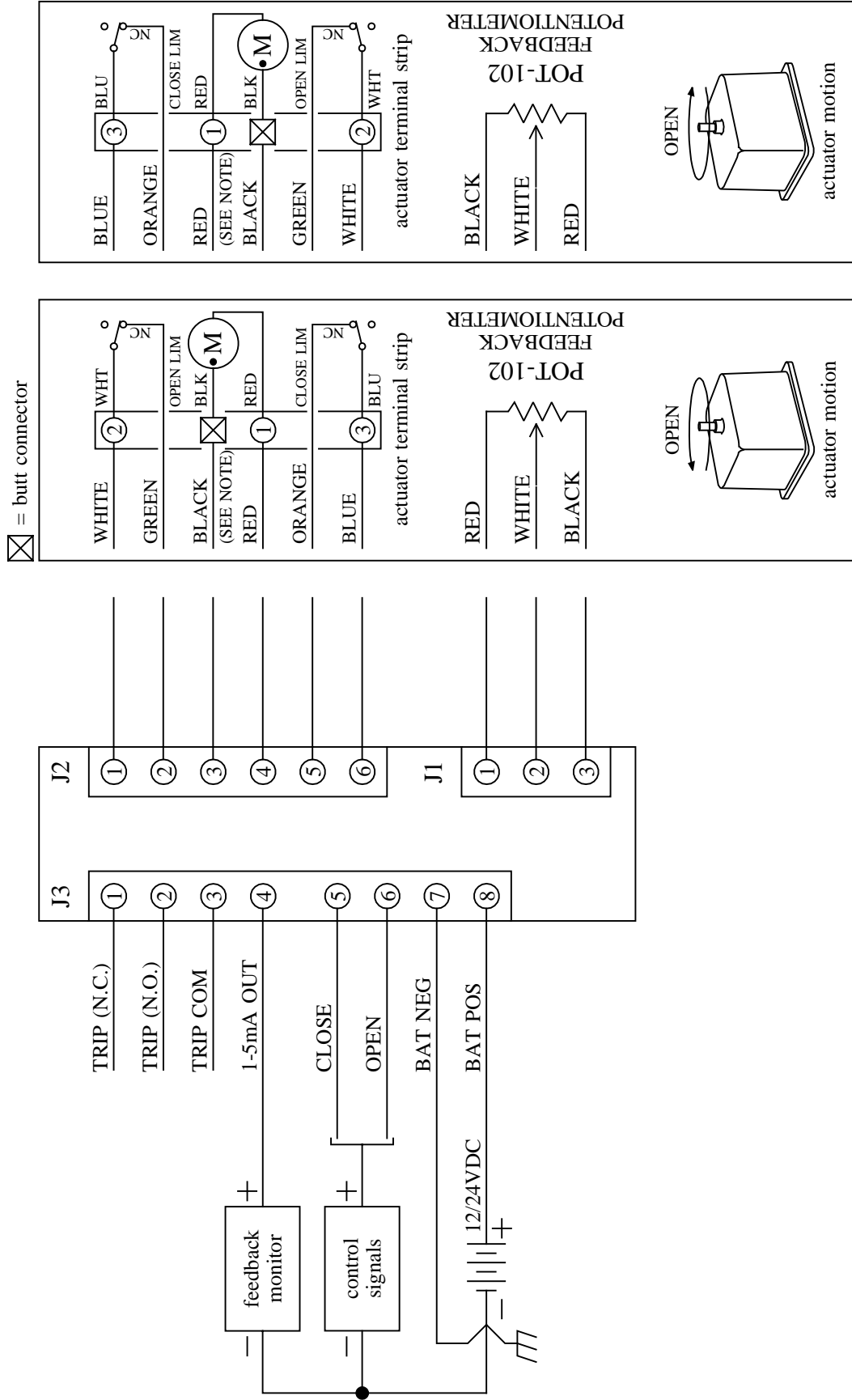


DC ON/OFF CONTROLLERS

WIRING DIAGRAM

Asahi A92, B92, C92, S92 Actuators

RCM-101C



DIRECT ACTING

REVERSE ACTING

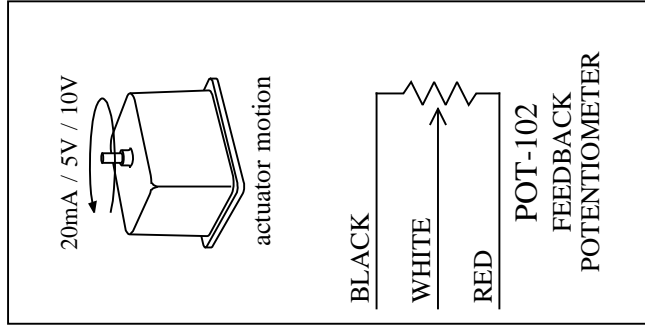
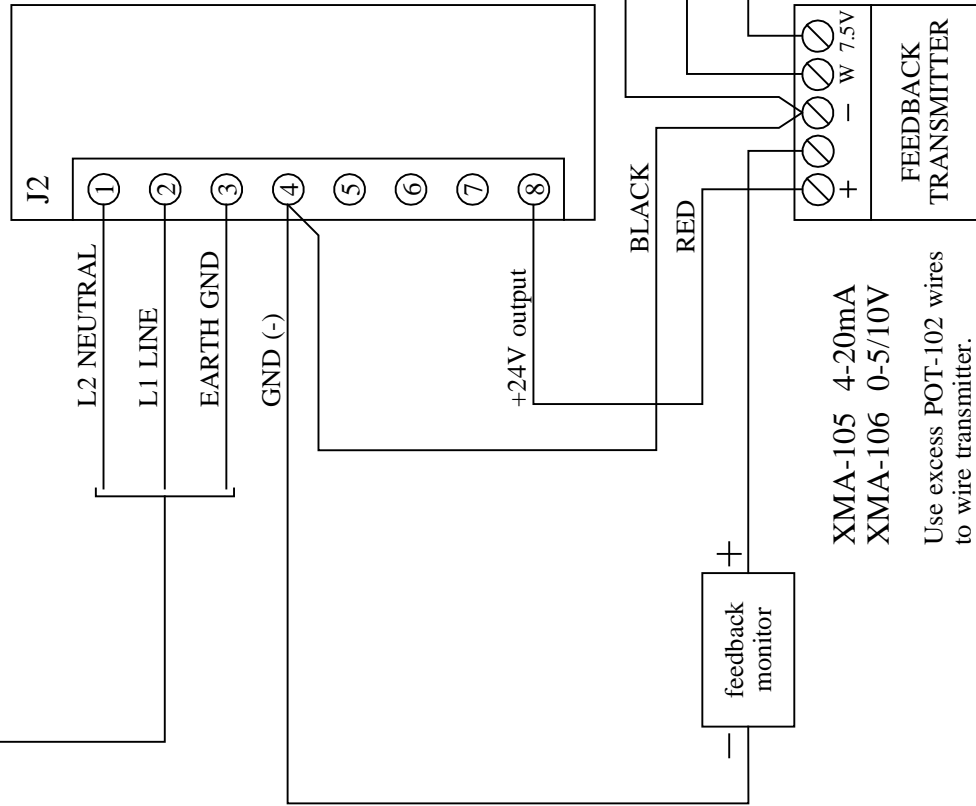
NOTE: Reverse motor leads for B92 and C92 actuators.

FEEDBACK TRANSMITTERS (powered)

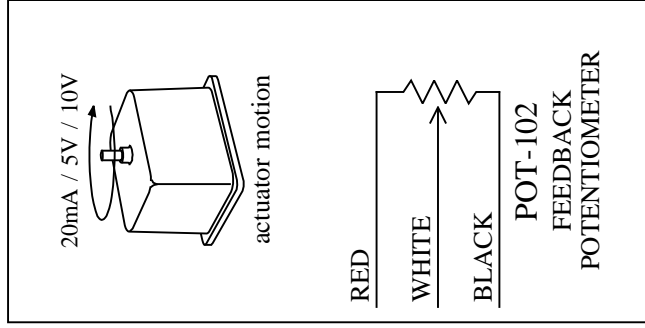
WIRING DIAGRAM

Asahi A92, B92, C92, S92 Actuators

117VAC PWR-102
234VAC PWR-102A



DIRECT ACTING



REVERSE ACTING

FEEDBACK TRANSMITTER (loop powered)

WIRING DIAGRAM

Asahi A92, B92, C92, S92 Actuators

