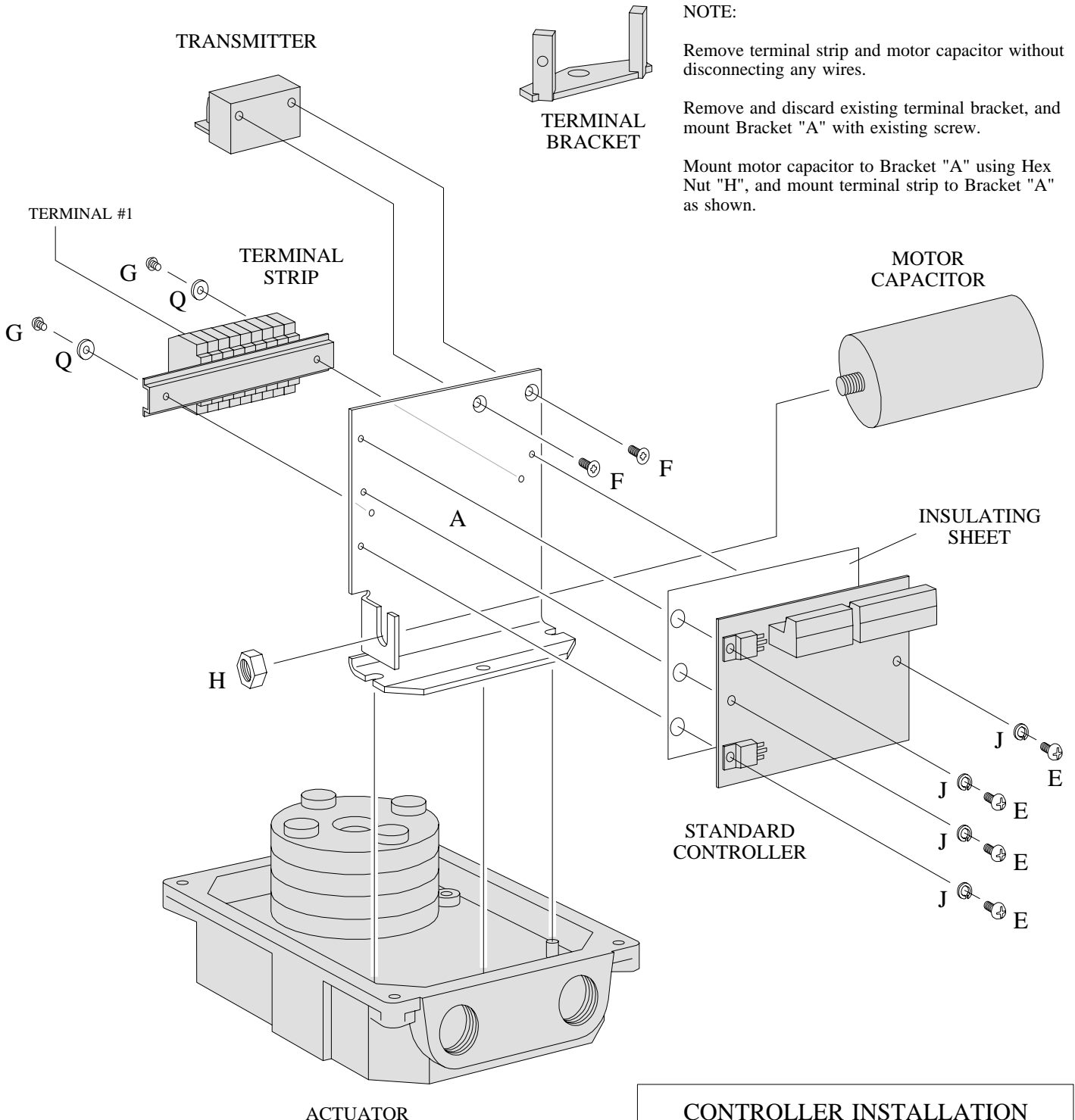
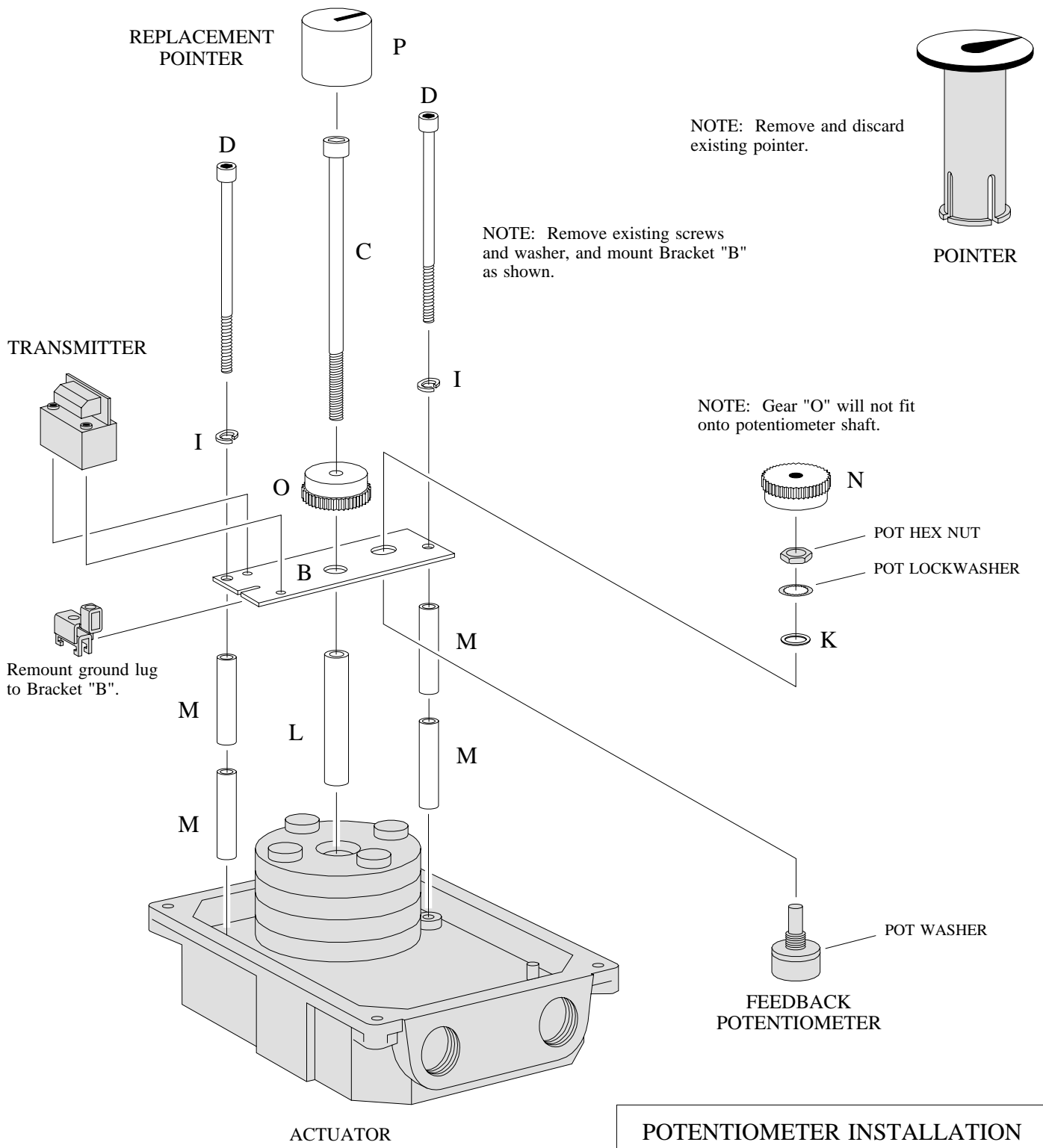


ASSEMBLY DIAGRAM Bernard EZ4, EZ6, EZ10, EZ15, OA3, OA6, OA8, OAP, OA15, SQ4, SQ6, SQ10, SQ15 Actuators

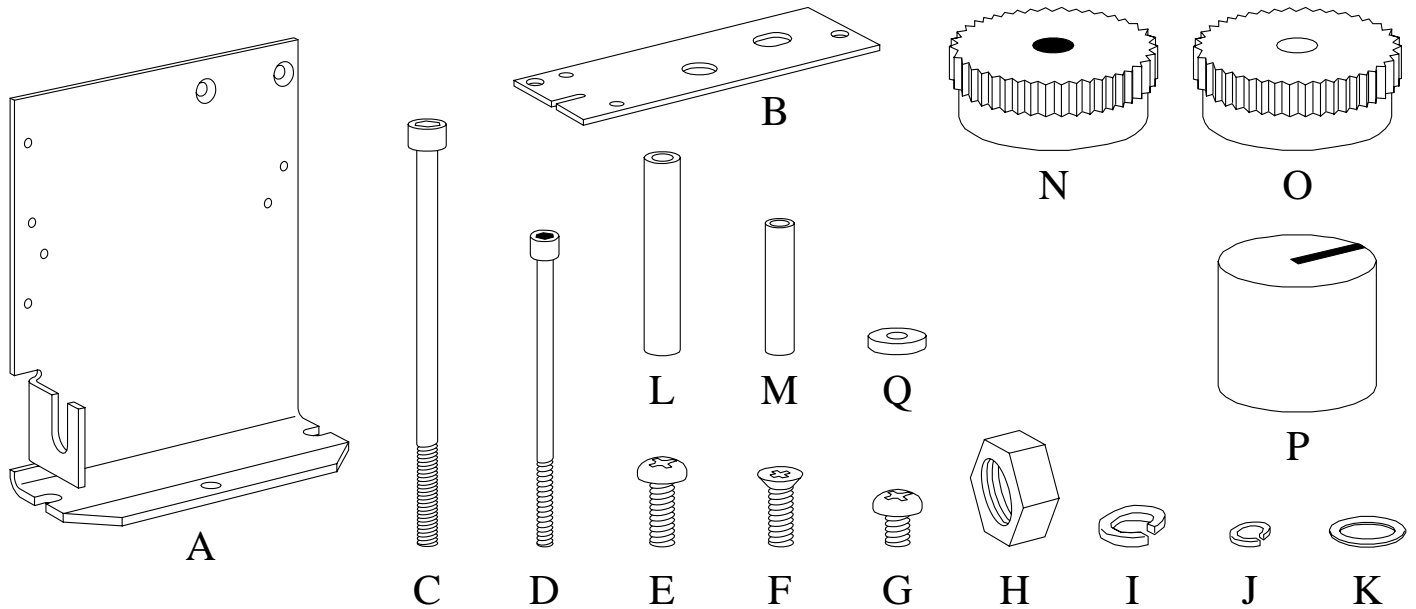


CONTROLLER INSTALLATION

ASSEMBLY DIAGRAM Bernard EZ4, EZ6, EZ10, EZ15, OA3, OA6, OA8, OAP, OA15, SQ4, SQ6, SQ10, SQ15 Actuators



## KIT CONTENTS



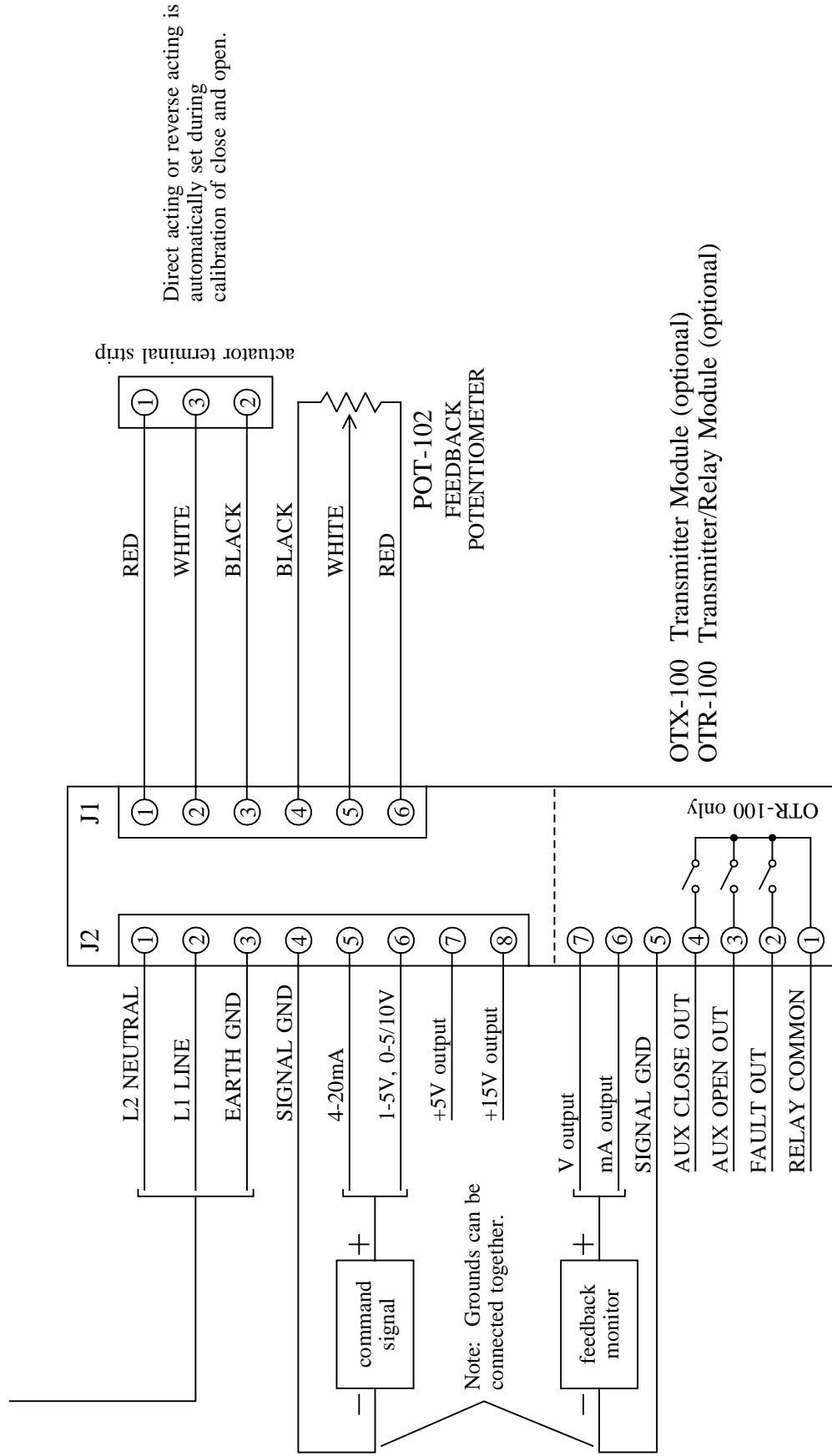
ITEM	QTY	DESCRIPTION
A	1	positioner bracket
B	1	potentiometer bracket
C	1	6mm/1mm x 110mm socket head screw
D	2	5mm/0.8mm x 80mm
E	4	#6-32 x 0.375" pan head screw
F	2	#6-32 x 0.375" flat head screw
G	2	#6-32 x 0.187" pan head screw
H	1	8mm/1.25mm hex nut
I	2	5mm split ring lockwasher
J	4	#6 split ring lockwasher
K	1	potentiometer anti-slip washer
L	1	51mm steel spacer
M	4	35mm steel spacer
N	1	potentiometer gear
O	1	output shaft gear
P	1	replacement pointer
Q	2	#6 nylon washer
not shown	2	11" white wire
not shown	1	11" black wire
not shown	1	11" red wire
not shown	1	11" blue wire
not shown	1	11" brown wire
not shown	6	6.3" nylon tie wrap

# AC DIGITAL POSITIONERS

Bernard EZ4, EZ6, EZ10, EZ15, OA3, OA6, OA8, OAP, OA15, SQ4, SQ6, SQ10, SQ15 Actuators

## WIRING DIAGRAM

117VAC DHC-100  
234VAC DHC-100A

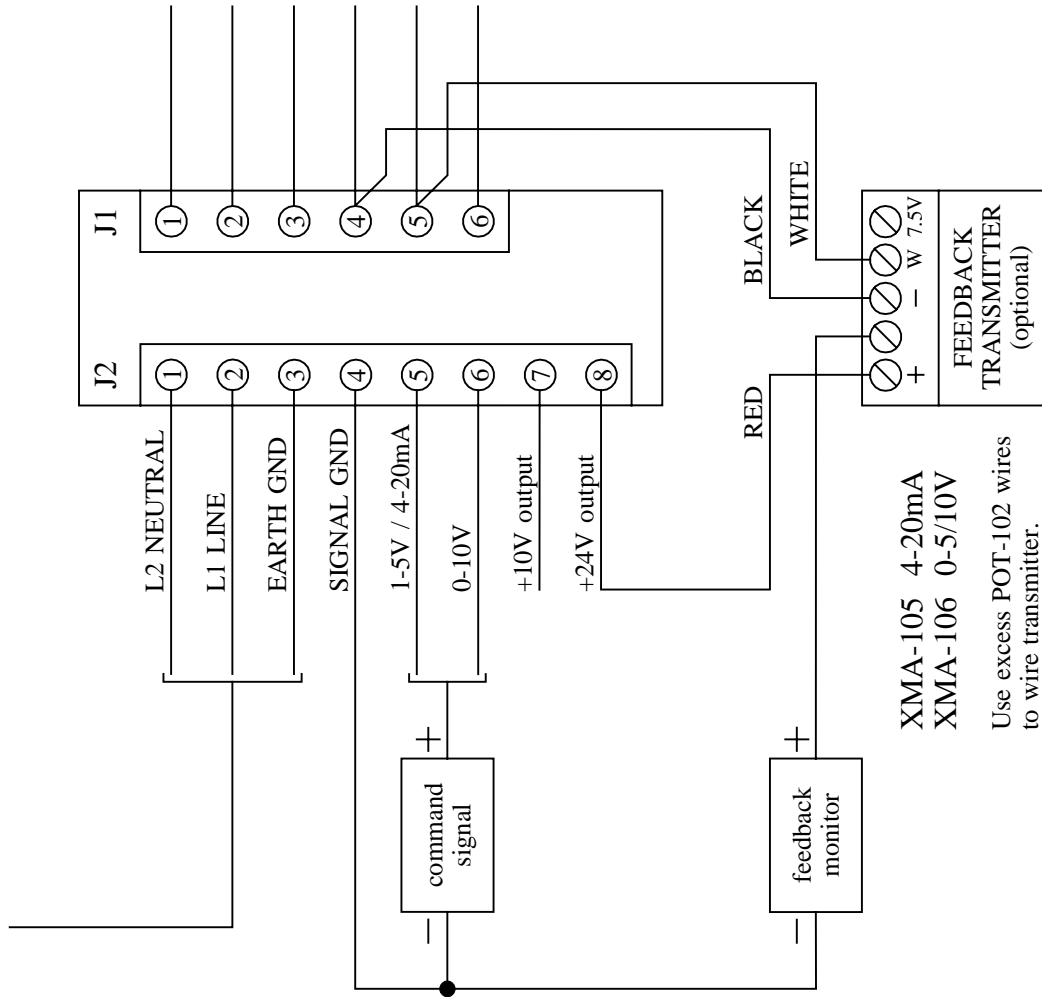


# AC ANALOG / LOG RATE POSITIONERS (standard)

## WIRING DIAGRAM

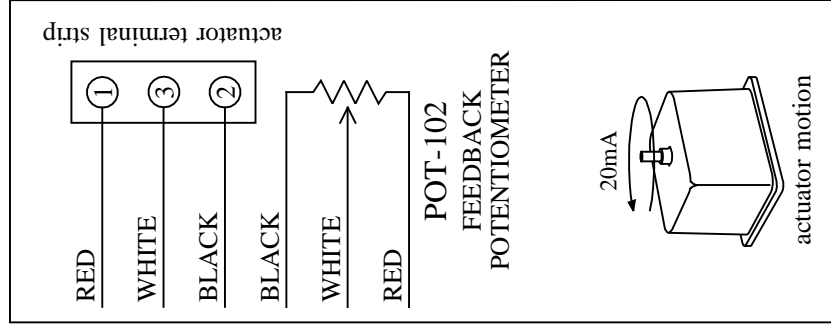
Bernard EZ4, EZ6, EZ10, EZ15, OA3, OA6, OA8, OAP, OA15, SQ4, SQ6, SQ10, SQ15 Actuators

117VAC AMC-101A / LRC-101A / LRC-101G  
 234VAC AMC-100C / LRC-101B / LRC-101H

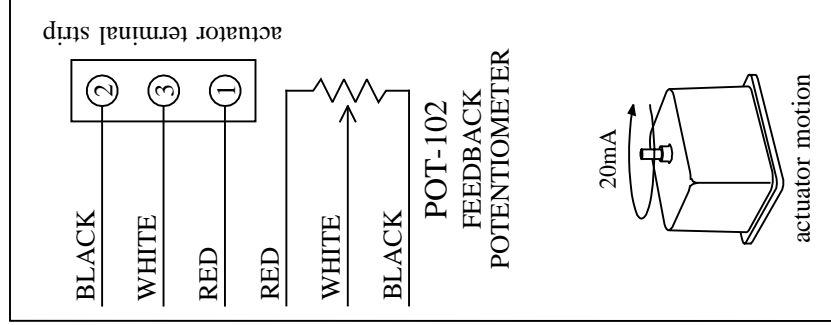


XMA-105 4-20mA  
 XMA-106 0-5/10V

Use excess POT-102 wires to wire transmitter.



DIRECT ACTING



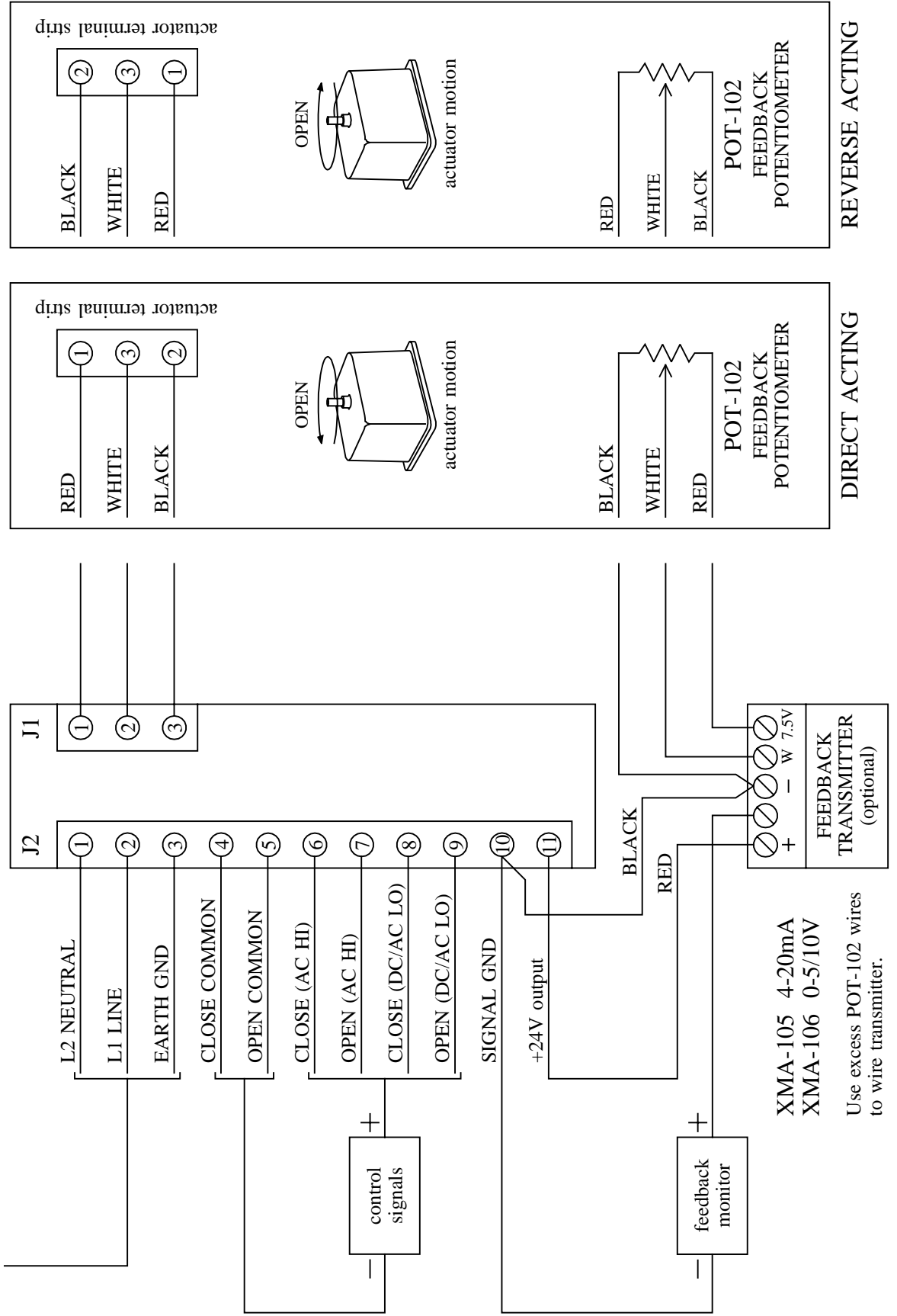
REVERSE ACTING

# AC ON/OFF CONTROLLERS

Bernard EZ4, EZ6, EZ10, EZ15, OA3, OA6, OA8, OAP, OA15, SQ4, SQ6, SQ10, SQ15 Actuators

## WIRING DIAGRAM

117VAC AMI-103  
234VAC AMI-103A



XMA-105 4-20mA  
XMA-106 0-5/10V  
Use excess POT-102 wires to wire transmitter.