

RCS Sure 100-10, 100-30 Actuators

KIT CONTENTS

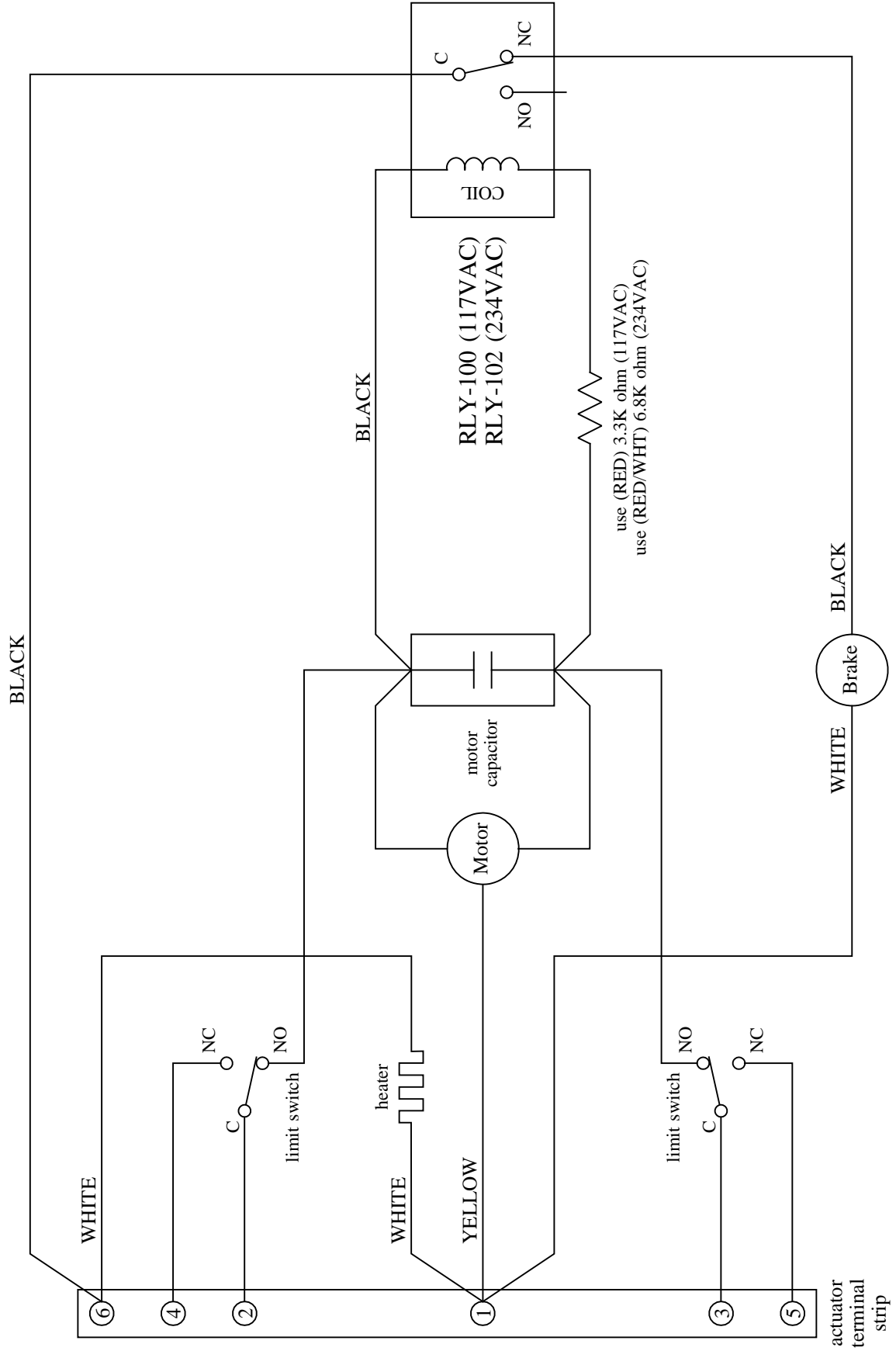
QTY	DESCRIPTION
1	actuator bracket
1	#10-24 x 0.375" socket head cap screw
1	#10 split ring lockwasher
1	#6-32 x 0.5" pan head screw
4	#6-32 x 0.375" pan head screw
1	#6-32 x 0.375" flat head screw
5	#6 split ring lockwasher
1	#6-32 hex nut
1	potentiometer gear
1	output shaft gear
1	potentiometer anti-slip washer
1	3.3K ohm resistor assembly, red wires (117VAC motor)
1	6.8K ohm resistor assembly, red/white wires (234VAC motor)
1	14" black wire (spade terminal one end, fork terminal other end)
1	14" yellow wire (fork terminal one end)
1	14" black wire (fork terminal one end)
1	14" red wire (fork terminal one end)
1	11" white/black wire (fork terminal one end)
1	6" black wire (spade terminal one end, flag terminal other end)
1	22-18 AWG spade terminal
10	6.3" nylon tie wrap

RELAY

WIRING DIAGRAM

RCS Sure 100-10, 100-30 Actuators

Note: Rewire actuator as shown below prior to installing a controller.

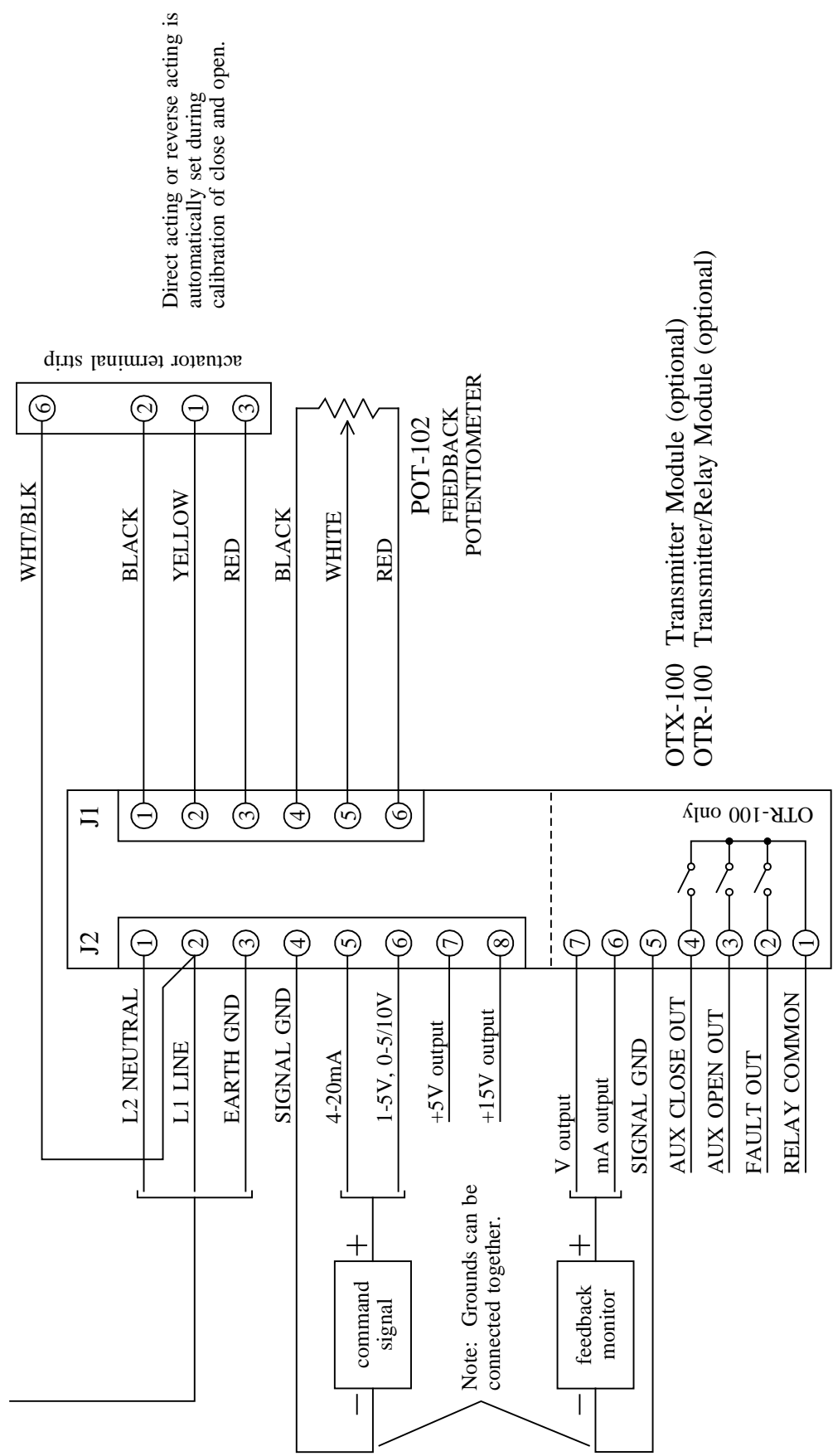


AC DIGITAL POSITIONERS

WIRING DIAGRAM

RCS Sure 100-10, 100-30 Actuators

117VAC DHC-100
234VAC DHC-100A



Direct acting or reverse acting is automatically set during calibration of close and open.

OTX-100 Transmitter Module (optional)
OTR-100 Transmitter/Relay Module (optional)