

RCS Sure 150-15 Actuators

KIT CONTENTS

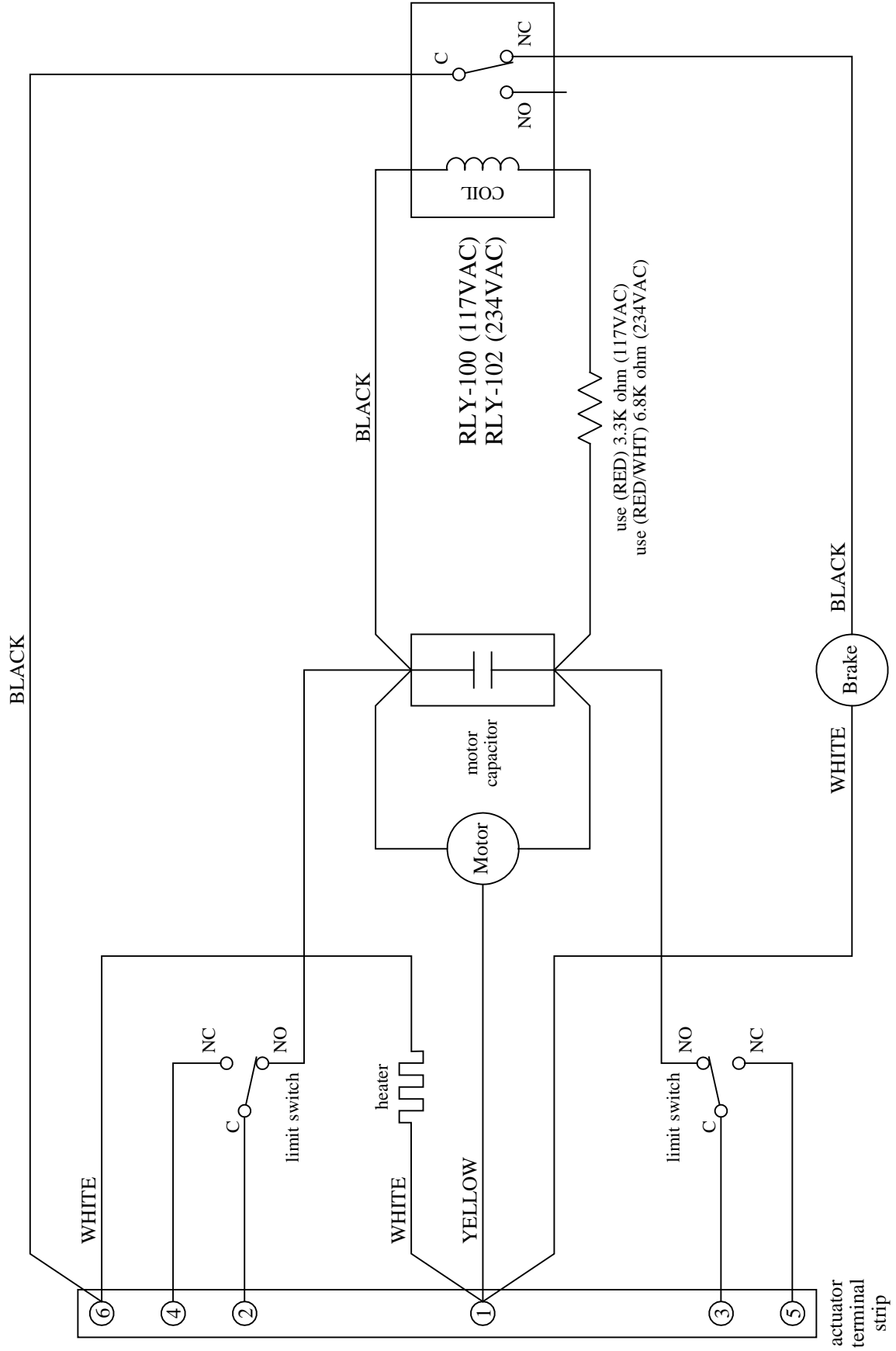
QTY	DESCRIPTION
1	actuator bracket
1	#10-24 x 0.375" socket head cap screw
1	#10 split ring lockwasher
1	#6-32 x 0.5" pan head screw
4	#6-32 x 0.375" pan head screw
1	#6-32 x 0.375" flat head screw
1	#6-32 hex nut
4	#6 split ring lockwasher
1	potentiometer gear
1	output shaft gear
1	potentiometer anti-slip washer
1	3.3K ohm resistor assembly, red wires (117VAC motor)
1	6.8K ohm resistor assembly, red/white wires (234VAC motor)
1	8" black wire (spade terminal one end)
1	6" black wire (spade terminal one end, fork terminal other end)
1	12" yellow wire
1	12" black wire
1	12" red wire
1	12" white/black wire
1	22-18 AWG spade terminal
7	6.3" nylon tie wrap

RELAY

WIRING DIAGRAM

RCS Sure 150-15 Actuators

Note: Rewire actuator as shown below prior to installing a controller.



AC DIGITAL POSITIONERS

WIRING DIAGRAM

RCS Sure 150-15 Actuators

117VAC DHC-100
234VAC DHC-100A

