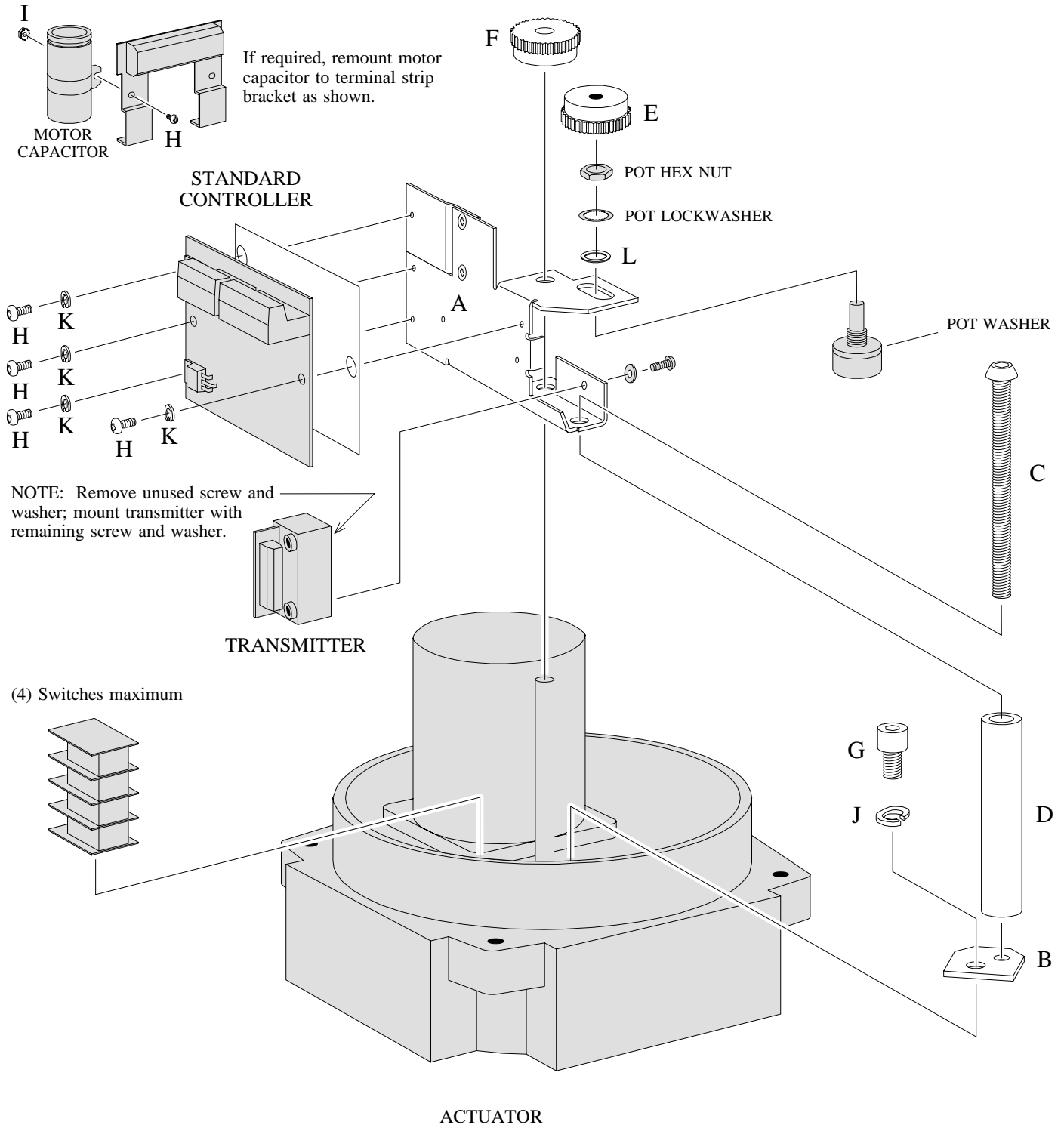
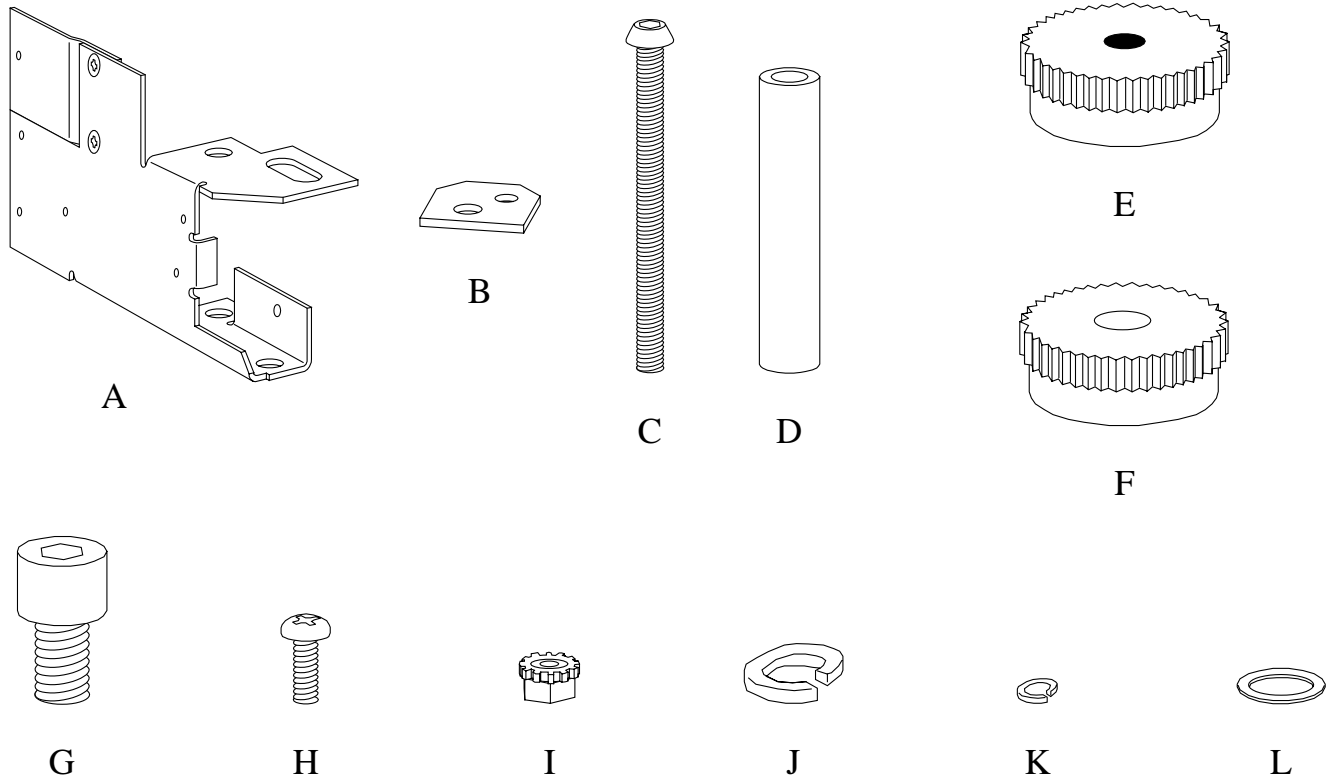


### ASSEMBLY DIAGRAM

Noah NA300, 350 Actuators



## KIT CONTENTS



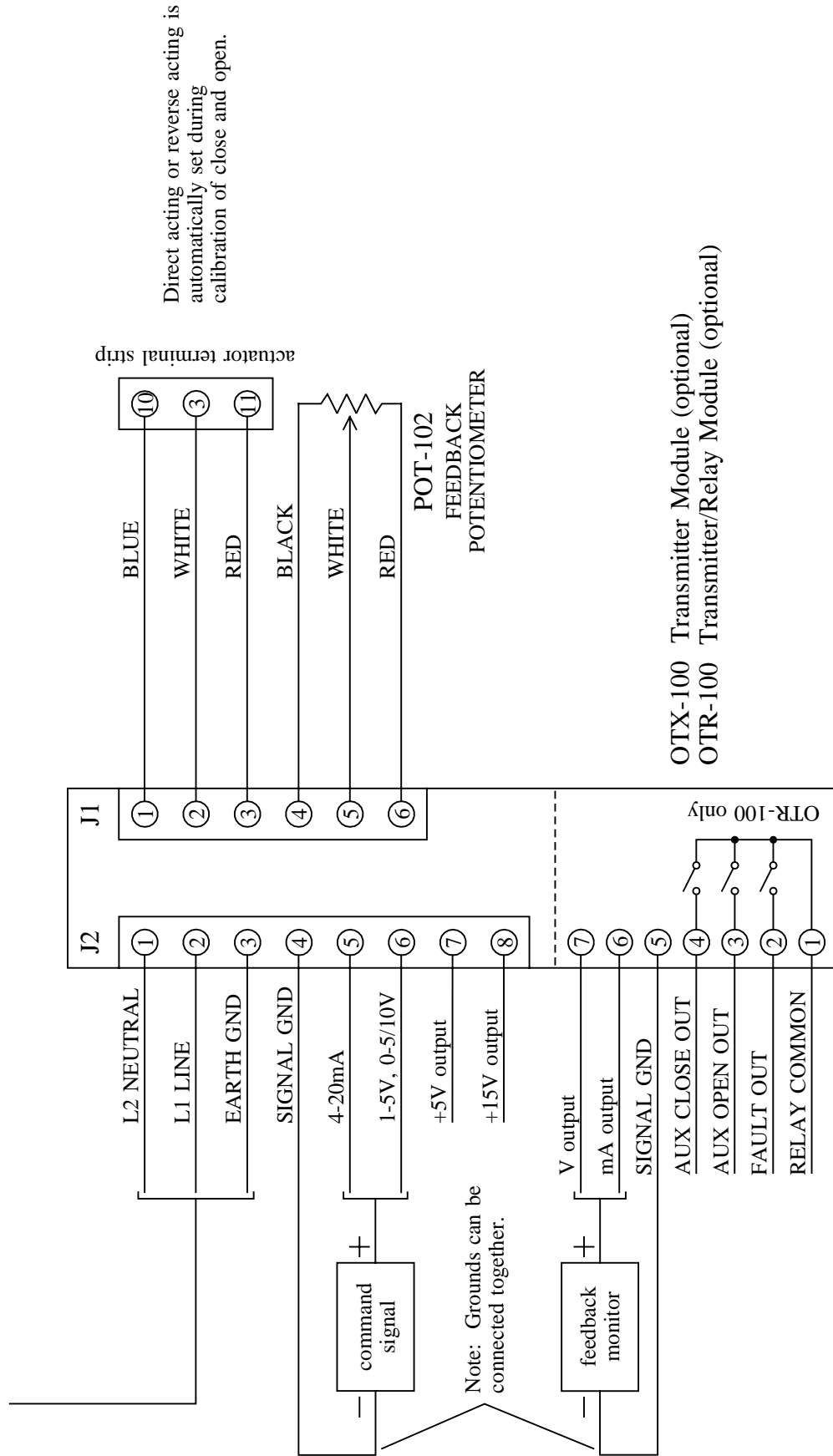
ITEM	QTY	DESCRIPTION
A	1	actuator bracket
B	1	adaptor plate
C	1	8mm/1.25mm x 90mm button head cap screw
D	1	3.1" round spacer
E	1	potentiometer gear
F	1	output shaft gear
G	1	8mm/1.25mm x 12mm socket head cap screw
H	5	#6-32 x 0.375" pan head screw
I	1	#6-32 keps nut
J	1	8mm split ring lockwasher
K	4	#6 split ring lockwasher
L	1	potentiometer anti-slip washer
not shown	1	16" red wire
not shown	1	16" white wire
not shown	1	16" blue wire
not shown	3	6.3" nylon tie wrap

# AC DIGITAL POSITIONERS

## WIRING DIAGRAM

Noah NA300, 350 Actuators

117VAC DHC-100  
234VAC DHC-100A



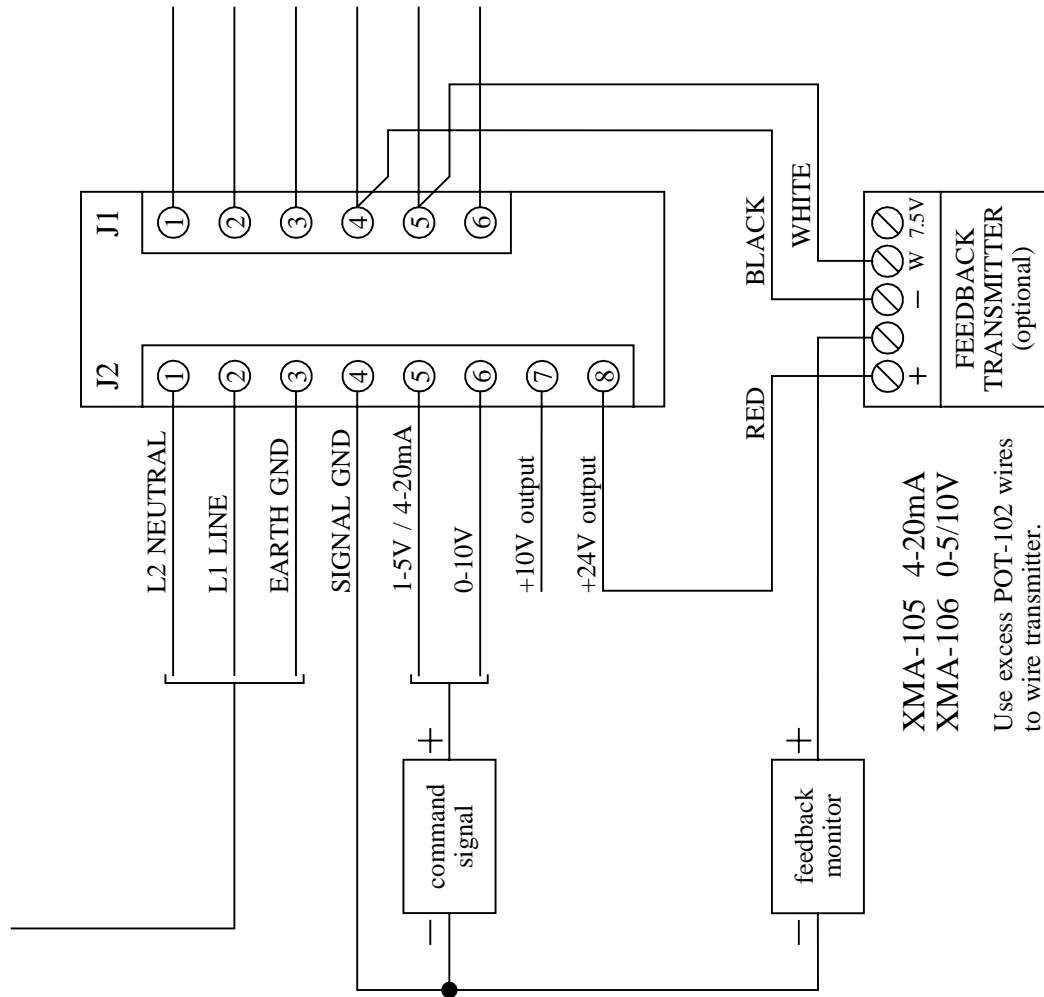
OTX-100 Transmitter Module (optional)  
OTR-100 Transmitter/Relay Module (optional)

# AC ANALOG / LOG RATE POSITIONERS (standard)

## WIRING DIAGRAM

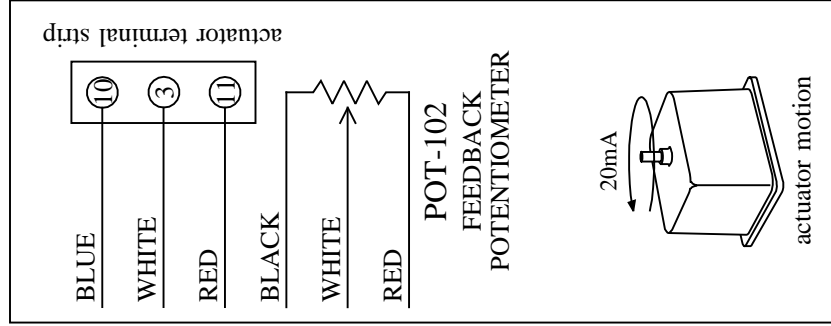
Noah NA300, 350 Actuators

117VAC AMC-101A / LRC-101A / LRC-101G  
 234VAC AMC-101C / LRC-101B / LRC-101H

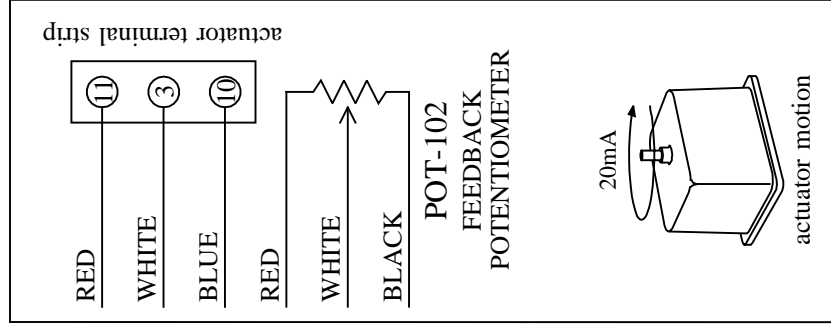


XMA-105 4-20mA  
 XMA-106 0-5/10V

Use excess POT-102 wires to wire transmitter.



DIRECT ACTING



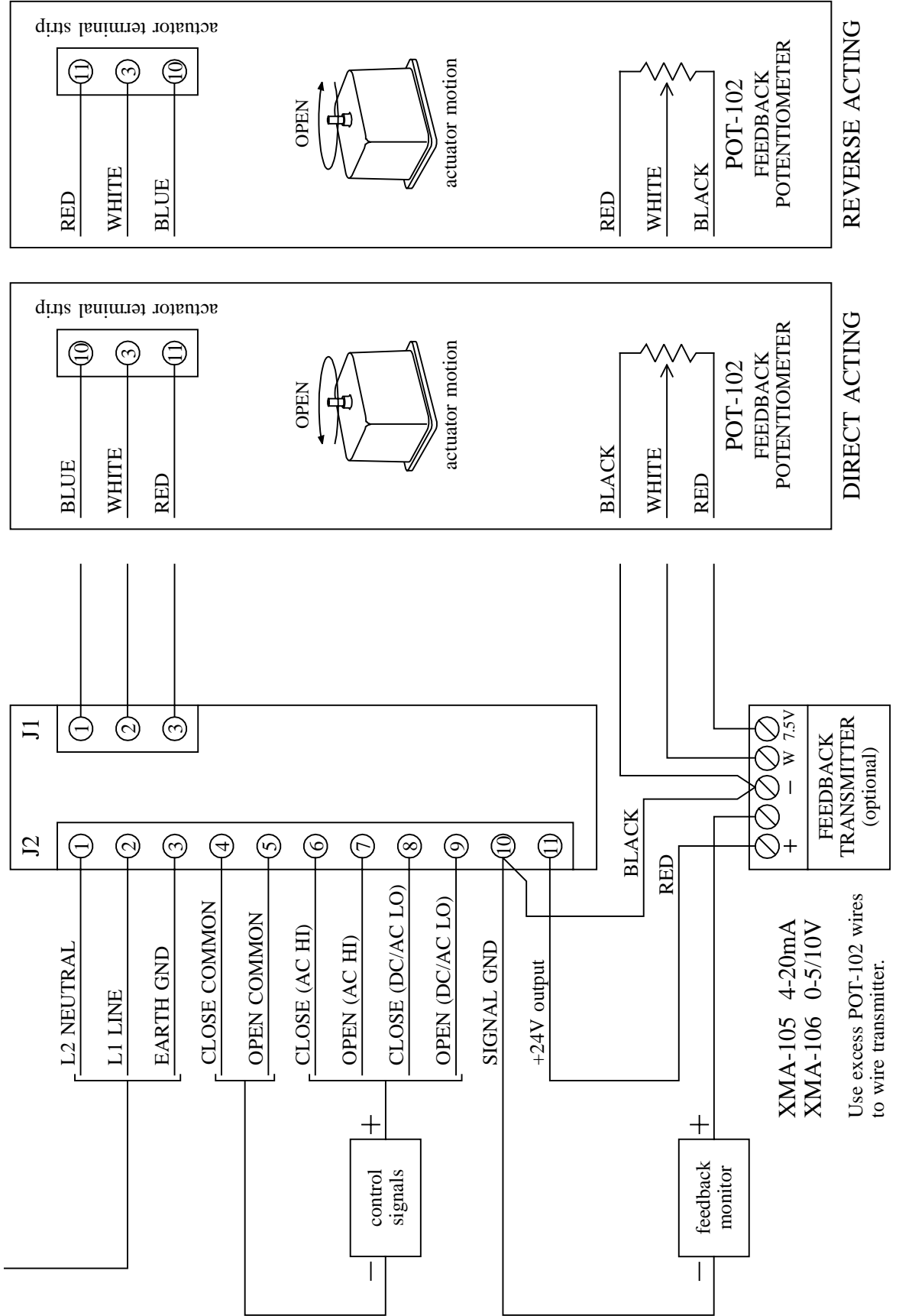
REVERSE ACTING

# AC ON/OFF CONTROLLERS

## WIRING DIAGRAM

Noah NA300, 350 Actuators

117VAC AMI-103  
234VAC AMI-103A



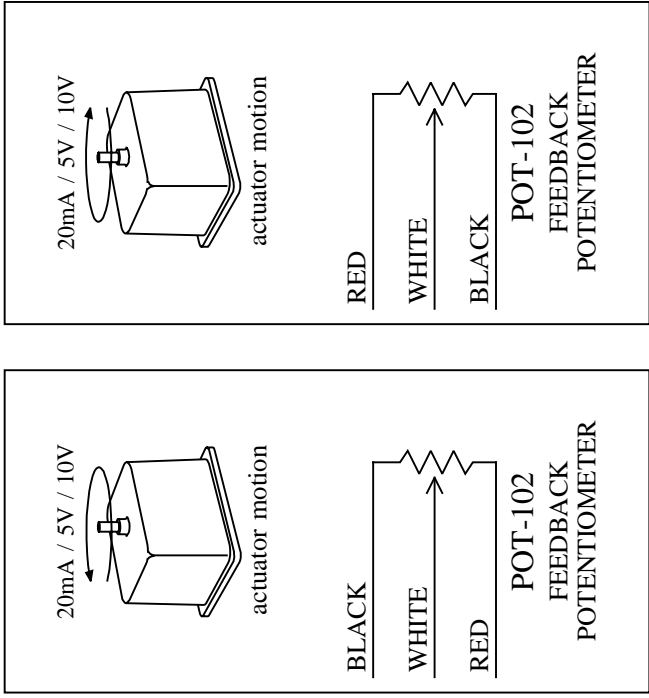
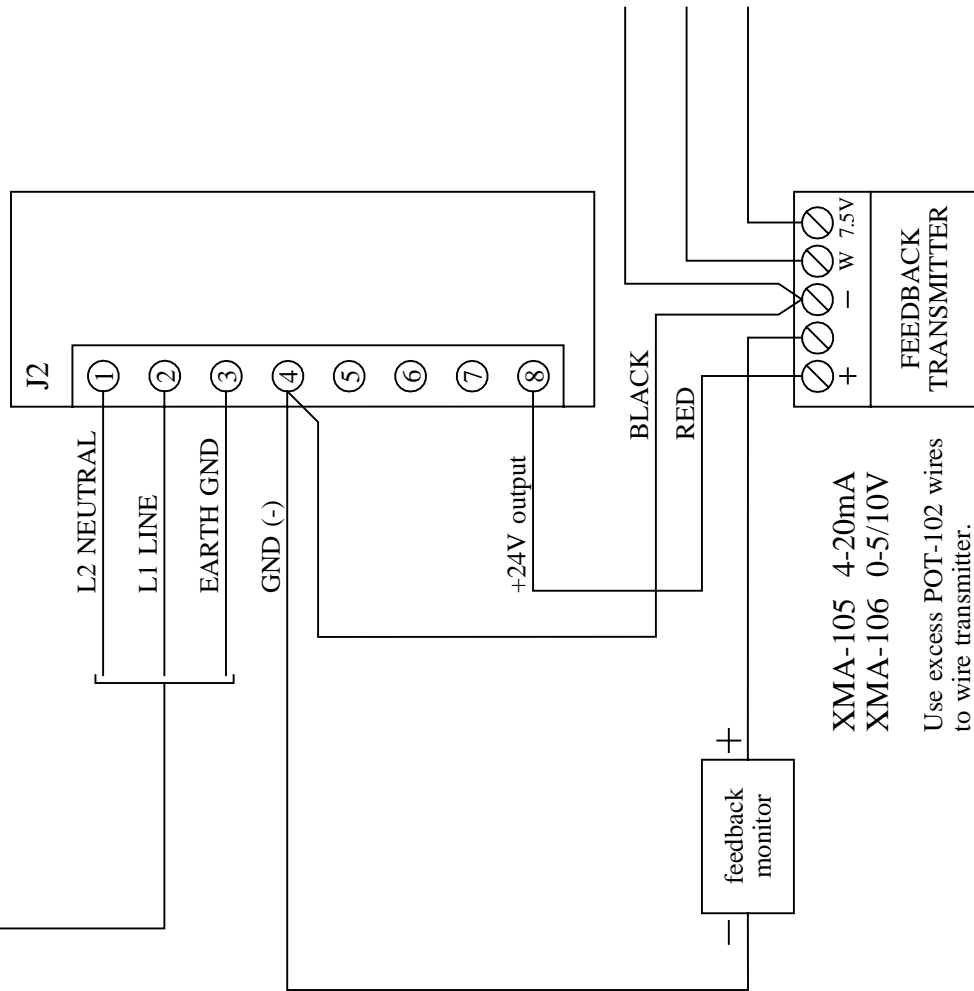
XMA-105 4-20mA  
XMA-106 0-5/10V  
Use excess POT-102 wires to wire transmitter.

# FEEDBACK TRANSMITTERS (powered)

## WIRING DIAGRAM

Noah NA300, 350 Actuators

117VAC PWR-102  
234VAC PWR-102A



DIRECT ACTING

REVERSE ACTING

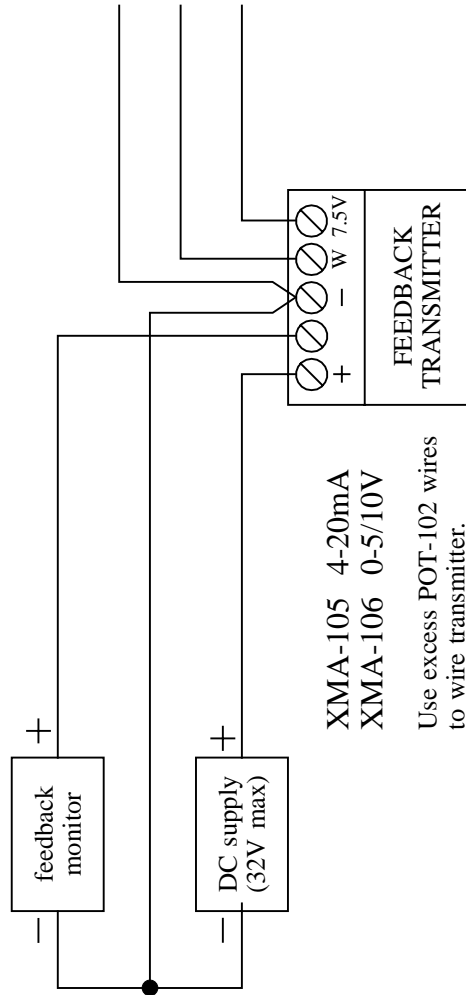
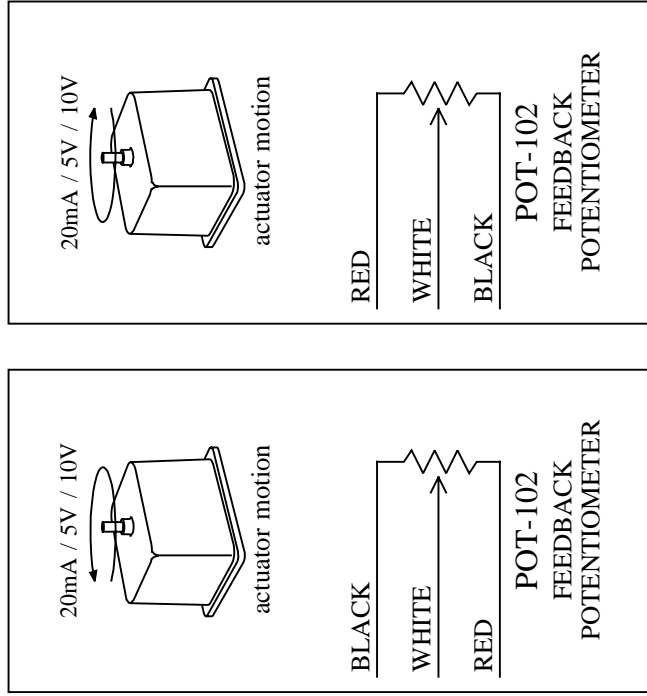
XMA-105 4-20mA  
XMA-106 0-5/10V

Use excess POT-102 wires to wire transmitter.

# FEEDBACK TRANSMITTERS (externally powered)

## WIRING DIAGRAM

Noah NA300, 350 Actuators



# FEEDBACK TRANSMITTER (loop powered)

WIRING DIAGRAM

Noah NA300, 350 Actuators

