

# ▲ PEAKTRONICS

The Peaktronics DHC-301 is a 2nd generation high performance digital positioner intended to control 3-phase actuators, providing up to 450 points of resolution with quarter turn actuators ranging from 5 sec to 120 sec and rated for 25% duty or more. The DHC-301 has many automatic advanced features that will enhance any actuator while making it easy to install and set up.

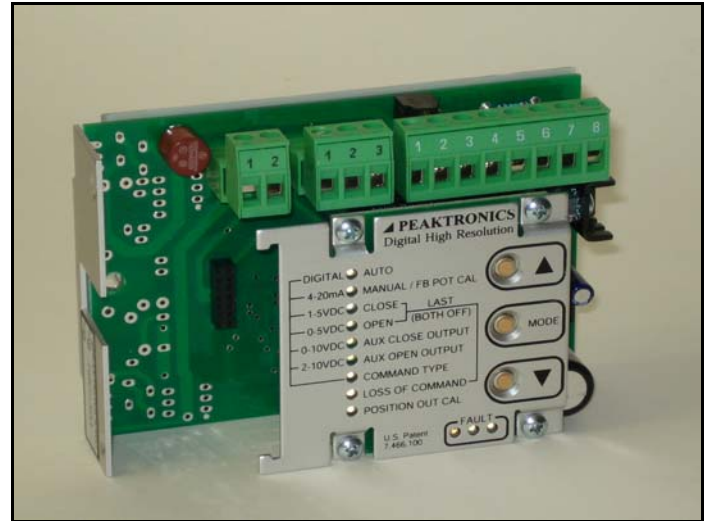
The simple three button control is used to configure all parameters the unit needs for a wide variety of applications, and allows the *open* and *closed* positions to be easily set for direct or reversing acting without any rewiring. The unit can be configured for various command types (4-20mA, 1-5V, 0-5V, 0-10V, 2-10V, or a Digital command) and its position upon loss of command.

Various option modules are easily plugged into the unit, providing other features such as a position feedback signal (current or voltage), auxiliary switches, fault relay contact, or digital communications. A wide range of data is accessible through a digital communications module, providing additional control or information.

The unit is of single solid construction and is easily mounted with two screws. The DHC-301 is a Peaktronics standard size positioner and directly replaces 1st generation DHC-300 controllers.

## DHC-301

### Digital High-Resolution 3-Phase Controller



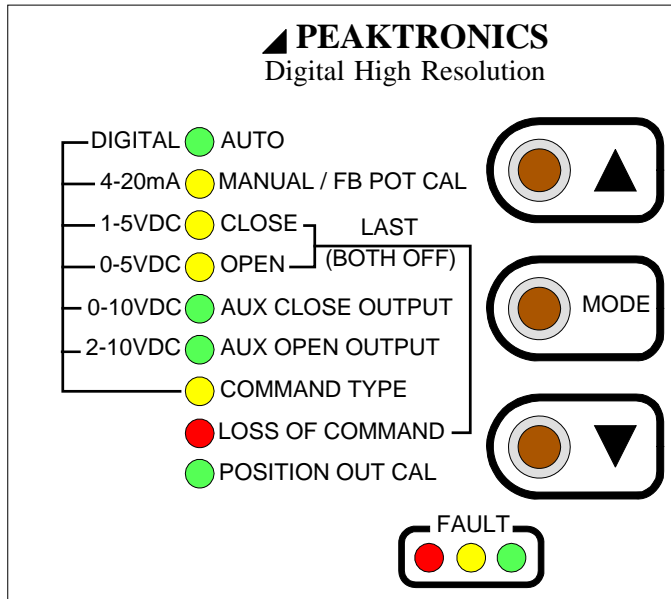
DHC-301 117VAC

## FEATURES

- Can position to  $\pm 0.1^\circ$ , and can be used with quarter-turn actuators ranging from 5 sec to 120 sec.
- **Adaptive Control** feature continuously adjusts for load and actuator conditions and eliminates calibration procedures and auto-cal operations.
- Three button control provides easy setup and eliminates the need for instrumentation.
- **Polarity Detection** feature allows direct or reverse acting operation without re-wiring.
- **Stall Detection** feature protects actuator motor from a stall condition.
- Automatic **Duty Cycle Control** feature prevents shutdown of a process due to a thermal overload of the actuator motor, and allows actuators rated for 25% duty or more to be safely used.
- Operating temperature range of 0 to 60°C, for temperatures outside this contact Peaktronics.

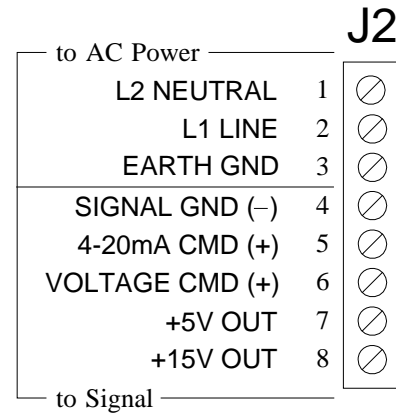
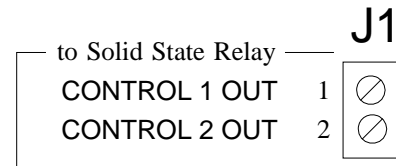
# OUTLINE

DHC-301 117VAC



FRONT PANEL

## ELECTRICAL CONNECTIONS

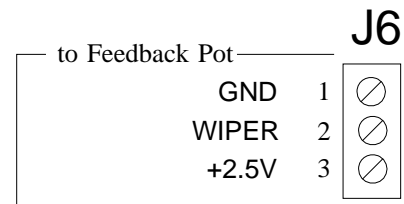


J1

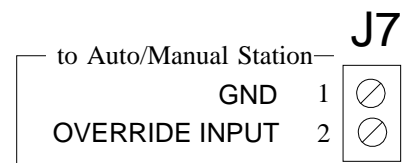
J2

J3

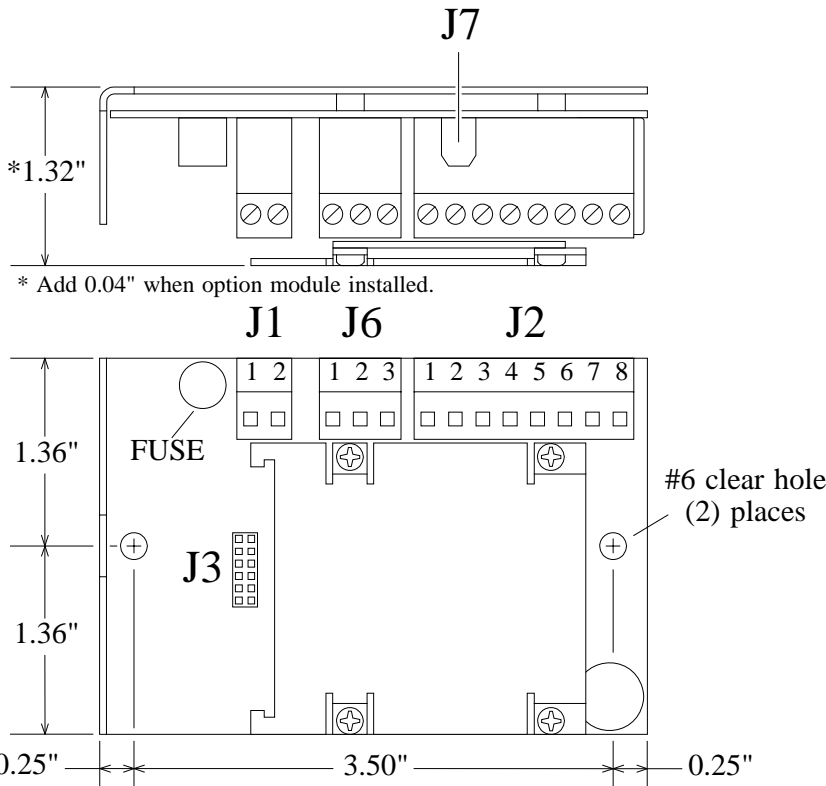
OPTION MODULE CONNECTOR



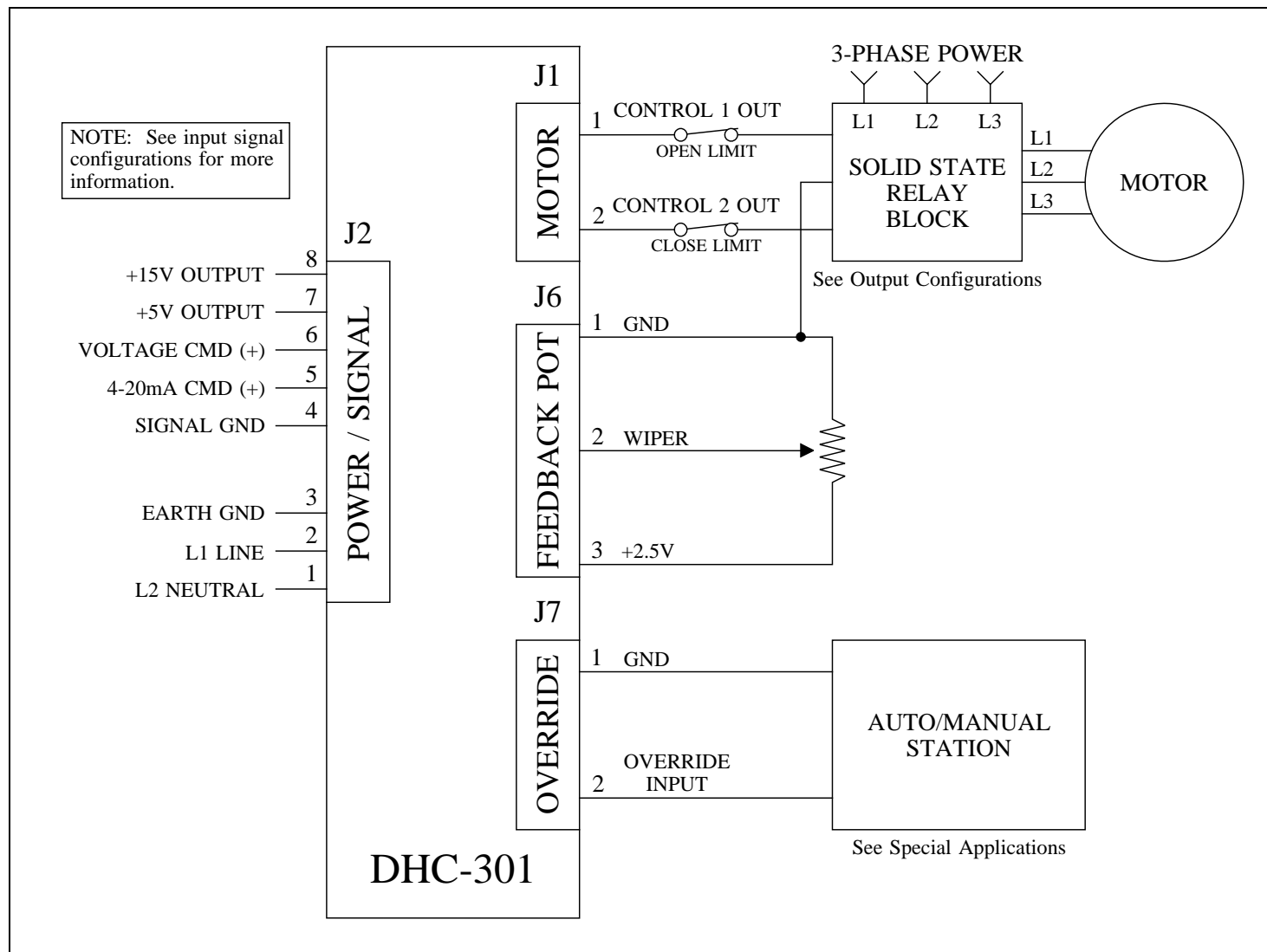
J6



J7



## BLOCK DIAGRAM



## DESCRIPTION

The DHC-301 is powered by a secondary source of 117 VAC  $\pm 10\%$ . The unit is easily mounted with 2 screws and is equipped with removable screw terminals that provide for easy field wiring. The unit's size and mounting are compatible with Peaktronics standard positioners and can be mounted with any Peaktronics mounting kit for standard positioners.

The simple three button control (MODE, ▲, and ▼) allows the user to perform a complete set-up from the unit itself without the need for any instrumentation. The adaptive control feature of the DHC-301 eliminates the need for any calibration steps. In the simplest application, only the closed and open positions need to be set and the unit automatically and continuously sets all other parameters when placed in the AUTO mode.

**SHOCK HAZARD!** These units are intended to be mounted in an appropriate enclosure connected to earth ground through wiring or piping. High voltages are present on the outside of the unit when power is applied. The power source should be disconnected prior to any wiring of these units to avoid an electrical shock.

**OUTDOOR CONSIDERATION!** A heater and thermostat should be used where low temperatures and/or condensation may occur. Installing a clay based desiccant packet at the time of final access prior to sealing the cover is highly recommended. This will reduce the dew and frost points by reducing the relative humidity inside the actuator.

## POWER / SIGNAL (J2)

Power is connected to pins 1, 2, and 3 as shown in the block diagram and is provided by a secondary AC source separate from the 3-phase motor power. The fuse installed on the unit is rated for safe operation of the unit. Replacement fuses should be of an equivalent size and type. Other fuse types can be used - consult the factory for appropriate substitutes.

An appropriate command signal, either 0-5V, 0-10V, 1-5V, 2-10V, or 4-20mA, should be connected to pin 5 or 6 (as shown in the Block Diagram) while using pin 4 as the return *signal ground*. The DHC-301 must be configured for the type of command signal that is to be used (see COMMAND TYPE).

Pin 7 of J2 provides an auxiliary +5V output which can be used to connect a command potentiometer. By connecting one end of a potentiometer to pin 7, the other end to pin 4, and the wiper to pin 6, a local control knob can be implemented. Pin 8 provides an auxiliary +15VDC output which can be used to power an input or output 4-20mA transmitter.

## MOTOR (J1)

The motor control outputs, Control 1 Out (pin 1) and Control 2 Out (pin 2), provide a digital signal (in respect to J6-1) for driving 3-phase solid state relays that are used to control the motor. Pin 1 is set to approximately +4V to turn the motor on toward *open*, and pin 2 is set to approximately +4V to turn the motor on toward *closed*. Both outputs are set to 0V to turn the motor off. See Output Configurations for details on wiring and recommended components.

When the ▲ and ▼ buttons are used to control the actuator, pin 1 is set to +4V when the ▲ button is pressed, while pin 2 is set to +4V when the ▼ button is pressed. See MANUAL/FB POT CAL for more details.

## FEEDBACK POT (J6)

The feedback potentiometer is connected to J6 as shown in the Block Diagram. The feedback potentiometer wiper must be connected to pin 2, while one end is connected to pin 1 and the other end to pin 3. The **Polarity Detection** feature of the DHC-301 automatically determines which motor direction to control based on where the *open* and *closed* positions are set; this feature also eliminates the need to rewire the unit for direct or reverse acting applications.

## OVERRIDE (J7)

J7 provides a simple 2-wire connection that can override the DHC-301 to perform a variety of external control functions. Using an appropriate interface module, commonly used auto/manual station switches are easily implemented with low voltage/low current switches. See Special Applications for more details. The factory installed jumper between pins 1 and 2 enables normal operation of the DHC-301 and must be installed if the external override functions are not used.

## MODE

The MODE button is used to select the desired function of operation. When the MODE button is pressed, the unit will switch to the next function and the appropriate LED indicator will turn on to let the user know which function is selected. Except for the MANUAL/FB POT CAL mode, the associated mode indicator will be steady on; for some of the modes other indicators will flash to indicate specific settings associated with the mode. Each of the modes is described in more detail in the following sections.

If a 0-5V or 0-10V command signal is used, the LOSS OF COMMAND function cannot be used. The MODE button will skip over the LOSS OF COMMAND mode when the unit is configured for a 0-5V or 0-10V command signal (see COMMAND TYPE). When the OVERRIDE mode is enabled (see OVERRIDE MODE), the MODE button is disabled and the Manual/FB Pot Cal indicator will turn on steady.

## ADJUST UP (▲) and ADJUST DOWN (▼)

The adjust up (▲) and adjust down (▼) buttons are used to adjust the setting of any given function. When a function is selected by the MODE button, the adjust buttons will affect that function only. Note, that the AUTO mode does not have any adjustable settings, and therefore, the adjust up (▲) and adjust down (▼) buttons have no effect. Also, the adjust buttons are disabled in the OVERRIDE mode.

## OVERRIDE MODE

The OVERRIDE mode is not selected by the MODE button and can be enabled at anytime by connecting a resistance greater than 250 ohms to the Override Input (J7 pin 1 and pin 2). While the OVERRIDE mode is enabled, the MODE button and adjust buttons are disa-

bled, and the Manual/FB Pot Cal indicator will turn on steady to indicate that the unit is being controlled by the Override Input. Shorting J7 pin 1 to pin 2 returns the unit to normal operation and the previously selected mode.

Controlling the DHC-301 from the Override Input is accomplished by connecting a specific resistance to select a specific operation. The table below defines the operations and their associated resistance. See Special Applications for details on using the Override Input for an Auto/Manual Station.

RESISTANCE	OPERATION
> 4.3K ohms	OFF
3.3K ohms $\pm 5\%$	LATCH
2K ohms $\pm 5\%$	OPEN
1.2K ohms $\pm 5\%$	CLOSE
510 ohms $\pm 5\%$	STOP

The OPEN function will operate the motor in the *open* direction as set by the OPEN mode, while the CLOSE function operates the motor in the *closed* direction as set by the CLOSE mode. The LATCH function will maintain the previously selected function; this allows momentary switches to be used for the OPEN and CLOSE functions. The OFF and STOP functions turn the motor off, which also unlatches the OPEN or CLOSE functions.

Note that the OPEN and CLOSE functions may work in reverse until the *open* and *closed* positions are set by the OPEN and CLOSE modes. The DHC-301 will automatically turn the motor off when the *open* or *closed* positions are reached. However, if a feedback fault occurs (see FAULT INDICATORS), the motor will be turned on for a period of 15 minutes in the selected direction. For this reason, limit switches should be used when using the OVERRIDE mode, and should be set to a position acceptable for the application. The 15 minute period can also be terminated using the OFF or STOP function.

The motor is also automatically turned off if the DHC-301 detects a stall (see STALL DETECTION). An OPEN or CLOSE operation can be attempted again after switching to the OFF, LATCH, or STOP functions first.

## AUTO

The AUTO function is the normal mode of operation for the DHC-301; all the other functions are used to set up the unit. While in AUTO, the unit can be controlled by various external signals, some of which can be selected by the COMMAND TYPE function. When the unit is not in the AUTO mode, all external controls described below will be disabled.

Once the *open* and *closed* positions have been set, the AUTO mode will control the position of the actuator according to the command input signal. For an input sig-

nal of 0V (for 0-5V or 0-10V input), 1V (for 1-5V input), 2V (for 2-10V input), 4.0 mA (for 4-20mA input), or 0% (for a Digital input), the DHC-301 will position the actuator to the *closed* position as set by the user. Conversely, an input of 10V, 5V, 20mA, or 100% will position the actuator to the defined *open* position.

When the DHC-301 is configured to use a 0-5V, 0-10V, 1-5V, 2-10V, or 4-20mA command, the command signal should be connected to the appropriate pin on J2 - note that the unused input pin must be left unconnected. When the DHC-301 is configured for a Digital command type, an appropriate communications option module must be installed. A communications module may be installed when using one of the analog command types and can be used to override the analog command. The AUTO indicator will flash whenever the unit is being controlled by the communications module.

## MANUAL/FB POT CAL

The MANUAL/FB POT CAL function allows manual operation of the actuator by using the adjust buttons ( $\blacktriangle$  and  $\blacktriangledown$ ) without affecting any other settings within the DHC-301. When the  $\blacktriangle$  button is pressed, the Control 1 output (J1-1) will be +4V in respect to J6-1. When the  $\blacktriangledown$  button is pressed, the Control 2 output (J1-2) will be +4V in respect J6-1. The FB POT CAL feature provides an indication of the feedback potentiometer's setting. When the MANUAL/FB POT CAL function is selected, the Manual/FB Pot Cal indicator will turn on - it may flash or be on steady, depending on the actuator position. The indicator will be on steady whenever the DHC-301 detects that the feedback potentiometer is at midrange of its rotation. As the actuator moves, causing the feedback potentiometer to move away from midrange, the indicator will begin to flash, and the indicator will flash at a decreasingly slower rate as the actuator moves further away from midrange.

By using the adjust buttons to position the actuator to midstroke (half way point between the desired *open* and *closed* positions), the feedback potentiometer can then be adjusted until a steady light occurs. This insures that the feedback potentiometer has maximum range to reach the *open* and *closed* positions.

## CLOSE

The CLOSE function is used to set the desired *closed* position; however, prior to doing this, the feedback potentiometer should be checked for optimum position (see MANUAL/FB POT CAL), and the limit switches should be set outside of the operating range (see STALL

DETECTION FEATURE). In the CLOSE function, the adjust buttons are used to set the actuator to any desired position, and upon pressing the MODE button (to select the next function, OPEN), the DHC-301 will retain the setting as the defined *closed* position.

Upon selecting the CLOSE function, the DHC-301 will begin moving the actuator to the previously set *closed* position; it is not necessary to make an adjustment if the unit has been previously set to the desired position. A command signal input of 0V, 1V, 2V, 4mA, or 0% automatically corresponds to the defined *closed* position.

## OPEN

The OPEN function works the same way as the CLOSE function with the exception that the adjust buttons are used to set the desired *open* position. As with the CLOSE function, upon selecting the OPEN function, the actuator will move to the previously set *open* position. Once the desired position is set, the DHC-301 will automatically correspond a command signal input of 10V, 5V, 20mA, or 100% to the *open* position.

## AUX CLOSE OUTPUT

The AUX CLOSE OUTPUT function is used to set an optional output setting that is associated with the *closed* position - an appropriate relay option module is required to use this output. The adjust buttons are used to set the actuator to a desired position. Whenever the actuator position falls between the defined *closed* position and the Aux Close position, the Aux Close Output indicator will flash. Additionally, the DHC-301 will turn on a relay output on the optional relay module - the output can be used to drive an alarm or merely act as an auxiliary limit switch.

Upon selecting the AUX CLOSE OUTPUT function, the DHC-301 will begin moving the actuator to the previously set position. It is not necessary to make an adjustment if the unit has been previously set to the desired position.

## AUX OPEN OUTPUT

The AUX OPEN OUTPUT function is used to set an optional output setting that is associated with the *open* position - an appropriate relay option module is required to use this output. The adjust buttons are used to set the actuator to a desired position. Whenever the actuator position falls between the defined *open* position and the Aux Open position, the Aux Open Output indicator will flash.

Additionally, the DHC-301 will turn on a relay output on the optional relay module - the output can be used to drive an alarm or merely act as an auxiliary limit switch.

Upon selecting the AUX OPEN OUTPUT function, the DHC-301 will begin moving the actuator to the previously set position. It is not necessary to make an adjustment if the unit has been previously set to the desired position.

## COMMAND TYPE

The COMMAND TYPE function is used to configure the command signal input for either 4-20mA, 1-5V, 0-5V, 0-10V, 2-10V, or Digital to match the type of command signal being used. Upon selecting the COMMAND TYPE function, the Command Type indicator will turn on steady, while the indicator for the selected type will flash. Use the adjust buttons (▲ or ▼) to select the desired input type. The selection will be saved when the MODE button is pressed, which will also advance the unit to the LOSS OF COMMAND function.

## LOSS OF COMMAND

When using 1-5V, 2-10V, 4-20mA, or a Digital input type for the command signal, the DHC-301 will detect when the command signal is lost or out of range. A loss of command condition is detected whenever the input is disconnected, the input becomes less than 0.75V (for 1-5V input), 1.5V (for 2-10V input) or 3mA, or the input is connected backwards. An out of range condition is detected whenever the input becomes greater than 5.25V (for 1-5V input), 10.5V (for 2-10V input), or 21mA. If the DHC-301 detects a loss of the command, a fault will be indicated (see FAULT INDICATORS), and the actuator will be moved to one of three preset positions: the *open* position, the *closed* position, or the position last attained prior to losing the command signal. The LOSS OF COMMAND function is used to set the desired default position.

When the LOSS OF COMMAND function is selected, the adjust buttons are used to set the default position. The DHC-301 indicates the selected default setting by flashing the Open function indicator for the *open* default position, or it will flash the Close function indicator for the *closed* default position. When neither indicator is on, then the "last position" default is selected.

When a 0-5V or 0-10V command signal is used, a loss of command signal cannot be reliably detected. Therefore, if the unit is configured for a 0-5V or 0-10V command signal (see COMMAND TYPE), the MODE button will not select the LOSS OF COMMAND function.

However, the DHC-301 can detect when a 0-5V or 0-10V command signal is out of range (i.e., greater than 5.25V or greater than 10.5V) or connected backwards. When an out of range condition is detected for a 0-5V or 0-10V input, the motor is turned off (leaving the actuator in its "last position") and a fault will be indicated (see FAULT INDICATORS).

## POSITION OUT CAL

The POSITION OUT CAL function is used to calibrate an optional feedback transmitter output. An appropriate transmitter option module is required to use this feature. When the POSITION OUT CAL function is first selected (by pressing the MODE button while in the LOSS OF COMMAND function), the CLOSE indicator will flash, and the voltage or current associated with the *closed* position will appear at the option module output. If desired, the output can be adjusted (using the adjust buttons) to any value from 0 to 10V (for a voltage output) or 4 to 20mA (for a current output). The new setting is saved when the MODE button is pressed.

Pressing the MODE button again will leave the unit in the POSITION OUT CAL function except that the OPEN indicator will flash, and the output voltage or current associated with the *open* position will appear at the option module output. Like the *closed* setting, the output can be adjusted to any voltage (from 0 to 10V) or current (from 4 to 20mA), and the new setting is then associated with the *open* position.

## FAULT INDICATORS

The DHC-301 detects various fault conditions that prohibit the unit from controlling the actuator. A combination of the three Fault indicators (red, yellow, and green) will turn on or flash to indicate a specific detected fault. If an appropriate relay option module is installed, the Fault relay output on the option module will turn off (indicating a fault) when any of the Fault indicators turn on or flash. A communications option module can also read the specific conditions causing a fault. Note that a fault condition DOES NOT disable the motor outputs when manually controlling the actuator with the adjust buttons; while useful for troubleshooting, care should be exercised when operating the motor under a fault condition. The OVERRIDE mode can also operate the motor when a fault condition exists - see OVERRIDE MODE for details.

Note that the indicators may not indicate all the fault conditions that may exist. This means that when the indicated fault is corrected, the unit may display another

fault that has not been corrected. The following table provides a summary of the Fault indications which is followed by a description of each fault.

RED	YEL	GRN	FAULT
flash	flash	OFF	Control 1 No Motion (Stall)
flash	OFF	flash	Control 2 No Motion (Stall)
flash	flash	flash	Double No Motion (Stall)
OFF	OFF	flash	Feedback Alarm
OFF	flash	OFF	Loss of Command
OFF	ON	OFF	Command Out of Range
OFF	flash	flash	Feedback Alarm and Loss of Command
OFF	ON	flash	Feedback Alarm and Command Out of Range

**Control 1 No Motion (Stall)** - A fault condition is detected when no actuator motion is detected while the Control 1 output is turned on. The fault condition will disable the Control 1 output only, and the fault is cleared when the DHC-301 detects a motion greater than 1.5° in either direction. The fault can be cleared if 1) the command signal commands a Control 2 operation, 2) manual operation with the adjust buttons results in a motion greater than 1.5°, or 3) a mechanical manual override forces the 1.5° motion, provided the mechanical motion is monitored by the feedback pot.

**Control 2 No Motion (Stall)** - A fault is detected when no actuator motion is detected while the Control 2 output is turned on. The fault can be cleared in the same manner as a Motor 1 Stall (see above).

**Double No Motion (Stall)** - If the DHC-301 detects no actuator motion in either direction, both motor outputs will be disabled. The command signal cannot clear this condition; only manual operation or a mechanical override can clear the fault. Alternatively, the DHC-301 can be powered off and then on to temporarily clear the fault; however, this practice should be avoided without permanently correcting the cause of such a fault.

**Feedback Alarm** - A fault condition is detected whenever the feedback signal is out of range (that is, less than 5% of the potentiometer value or more than 95% of the potentiometer value), or when any of the potentiometer connections are broken. Normal operation resumes when the potentiometer is reconnected or back in range.

**Loss of Command** - If the command signal is disconnected, the fault indication will remain on until the signal is reconnected. See LOSS OF COMMAND for details.

**Command Out of Range** - If the command signal goes out of range, the fault indication will remain on until the signal is back in range. See LOSS OF COMMAND for details.

## STALL DETECTION FEATURE

The **Stall Detection** feature of the DHC-301 (see FAULT INDICATORS) essentially performs a similar function as commonly used torque switches; however, the differences should be considered before eliminating the torque switches. The DHC-301 feature does not measure torque, but rather motion; if the load is sensitive to excessive torque, the torque switches may be desirable. Since common torque switches are mechanical devices, they can provide a fail safe feature in the event of electrical failures (such as shorted wires or damage to the DHC-301).

The **Stall Detection** feature is useful for detecting when any of the motor wires become disconnected. However, limit switches employed in actuators essentially disconnect one of the motor windings. The DHC-301 will detect this as a motor stall. To avoid this condition, the limit switches must be set outside of the operating range set by the CLOSE and OPEN functions.

## DUTY CYCLE CONTROL FEATURE

The **Duty Cycle Control** feature of the DHC-301 allows actuators rated at 25% duty or more to be safely used in automated valve applications. The DHC-301 accurately monitors the relative heating of the motor and automatically duty cycles the unit at a safe level when a process becomes unstable, or if a control loop is not properly set. While the thermal switch in the motor protects the motor from overheating, thermal switches can shutdown the actuator for ten minutes or more. Further, typical thermal switches do not activate until temperatures inside the actuator become too high for other components in the actuator.

The **Duty Cycle Control** feature allows continuous operation of the motor until it detects an excess heat build up in the motor (usually well below the limit of the thermal switch). At that time, duty cycle operation is automatically enabled and continues until the motor cools enough to resume continuous operation. The duty cycle period is approximately 2 seconds with an on time that automatically varies depending on the heating of the motor. While this operation slows down the actuator's operation, it does not impact the resolution performance of the DHC-301, and it prevents disruption of a process due to a thermal switch shutdown.

## SPECIFICATIONS

### POWER REQUIREMENTS

- 117VAC  $\pm 10\%$ , 50/60 Hz
- 12 VA typical
- Fuse Type: 0.5A TR5 Time Delay (replaceable)

### COMMAND SIGNAL INPUT

- Input Impedance
  - 20K ohms (VOLTAGE CMD (+) Input)
  - 251 ohms  $\pm 1\%$  (4-20 mA CMD (+) Input)
- Loss of Command threshold
  - < 0.75V (1-5 VDC input)
  - < 1.5V (2-10 VDC input)
  - < 3mA (4-20mA input)
- Command Out of Range threshold
  - > 5.25V (0-5 VDC, 1-5 VDC input)
  - > 10.5V (0-10 VDC, 2-10 VDC input)
  - > 21mA (4-20mA input)

### FEEDBACK SIGNAL INPUT

- Input Voltage: 0 to 2.5 VDC
- External Feedback Potentiometer: 1K ohm



## POWER SUPPLY OUTPUTS

+15V OUT (J2-8): 100mA maximum (not including option module)

+5V OUT (J2-7): 20mA maximum

**NOTE:** *Do not* connect these outputs to other power supplies.

## CONTROL OUTPUTS

Output Voltage (J1-1/J1-2 to J6-1): 5.1VDC maximum, 4.0VDC minimum

Output Current: 20mA maximum

## ENVIRONMENTAL

Operating Temperature Range: 0 °C to 60 °C

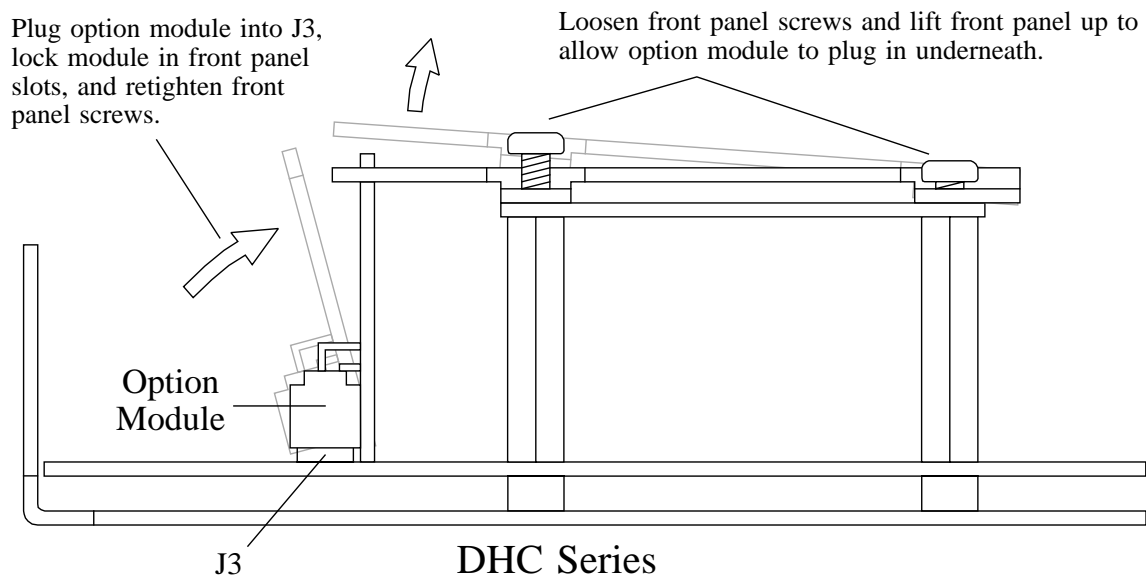
Storage Temperature Range: -40 °C to 85 °C

Relative Humidity Range: 0 to 90 % (noncondensing)

## OPTION MODULES

Various option modules can be plugged into the DHC-301 option module connector, J3. Option modules provide additional features such as position feedback signals, auxiliary switch outputs, or digital communications.

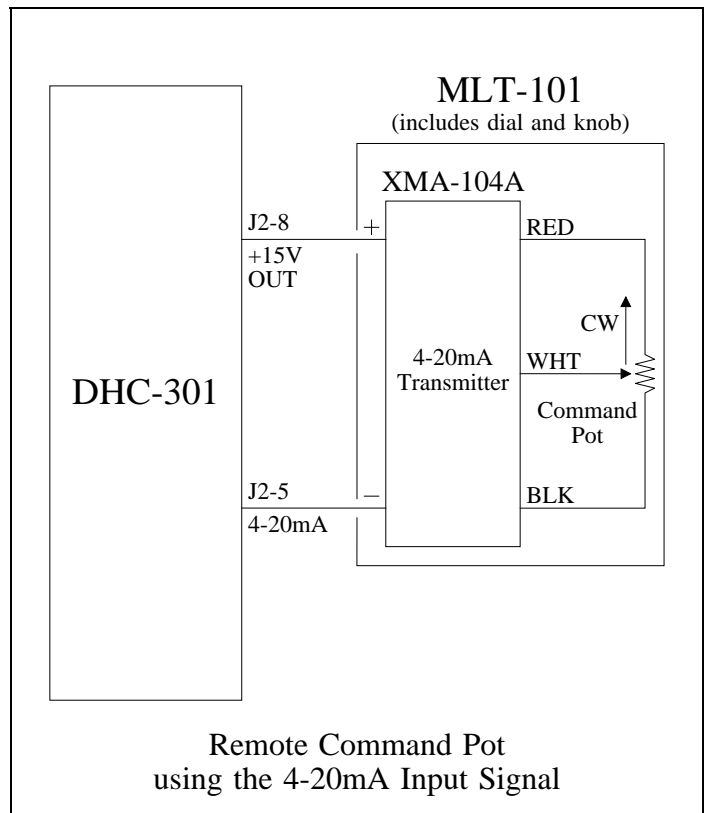
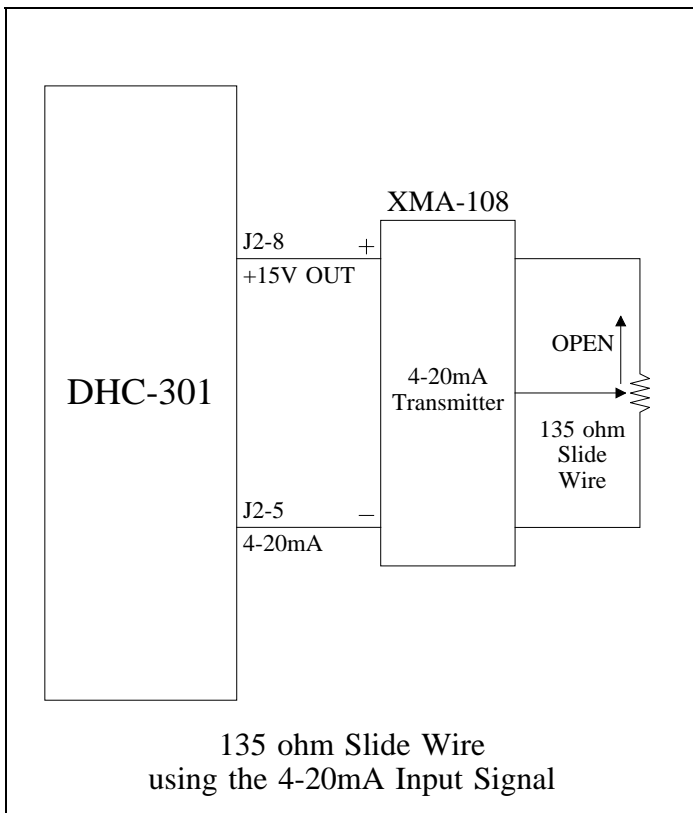
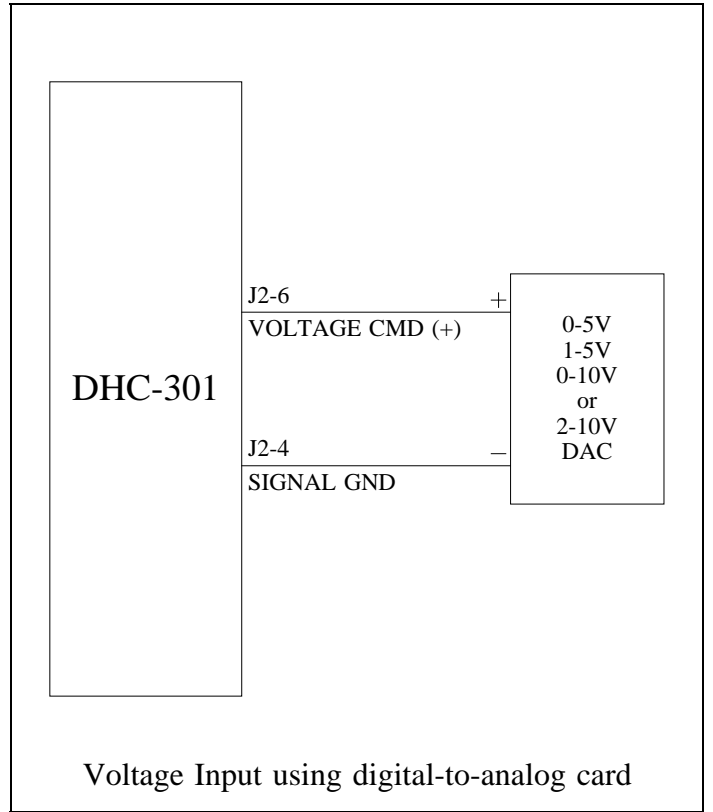
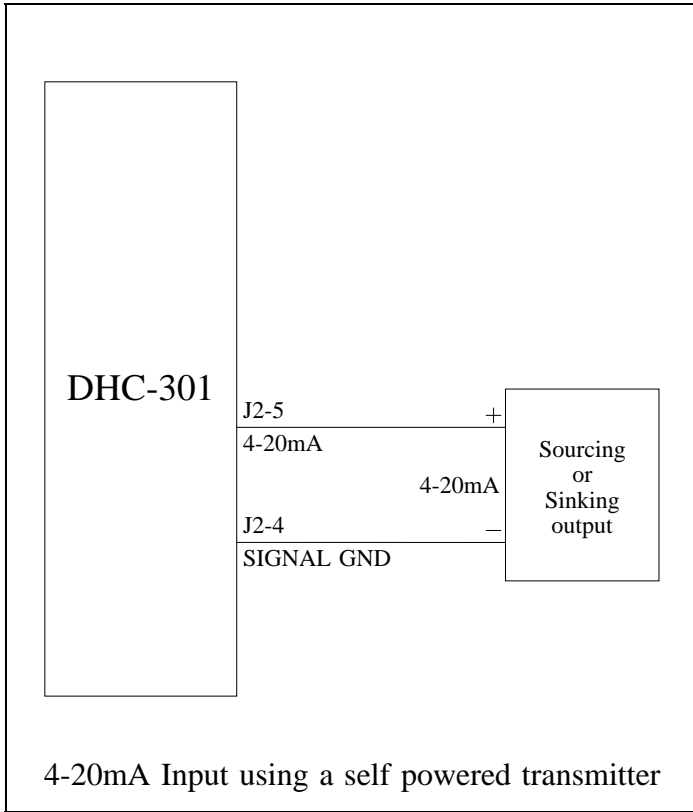
Contact the factory for the latest available modules. Refer to the diagram below for instructions on installing an option module.



Installing an Option Module

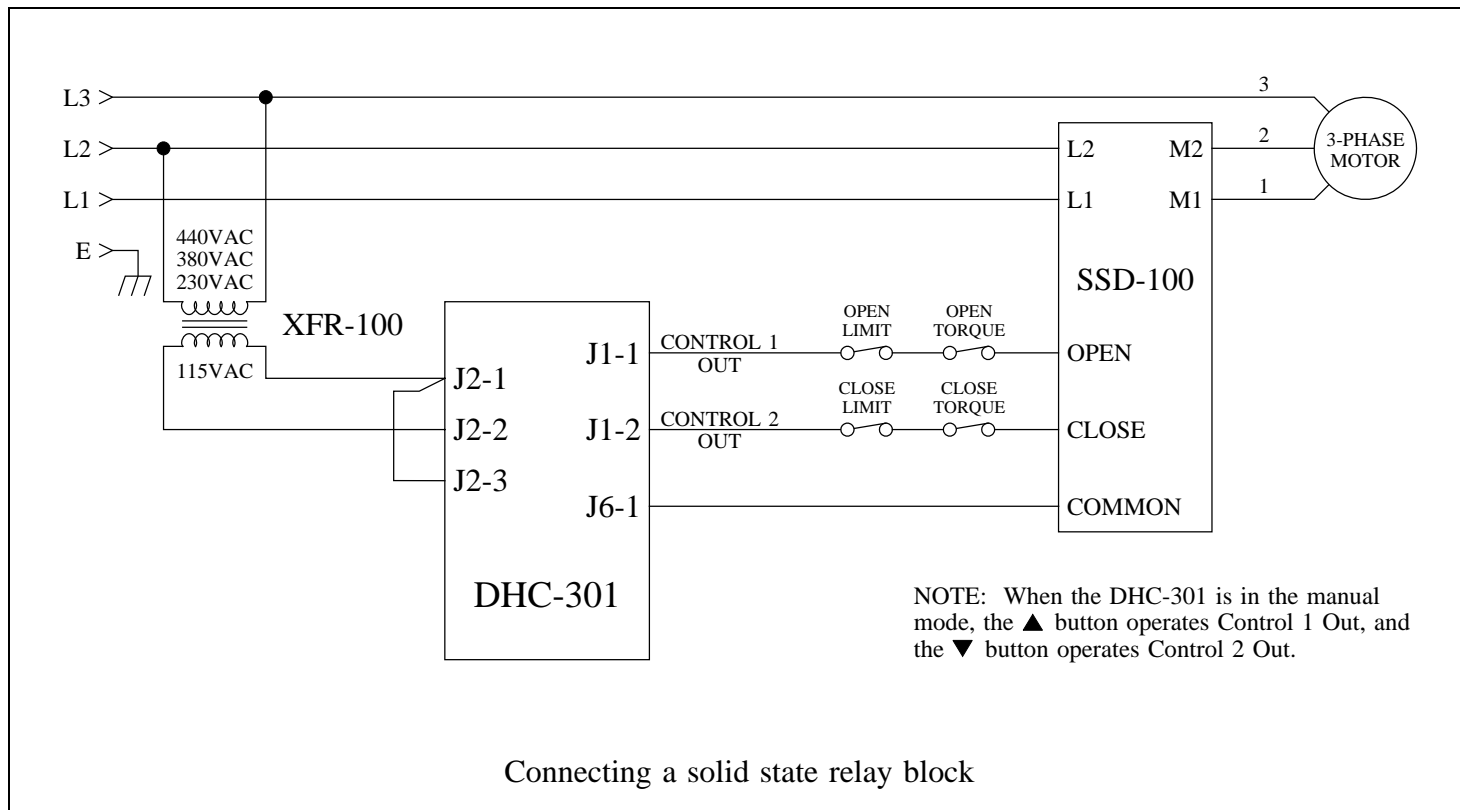
## WIRING DIAGRAMS

### Input Signal Configurations

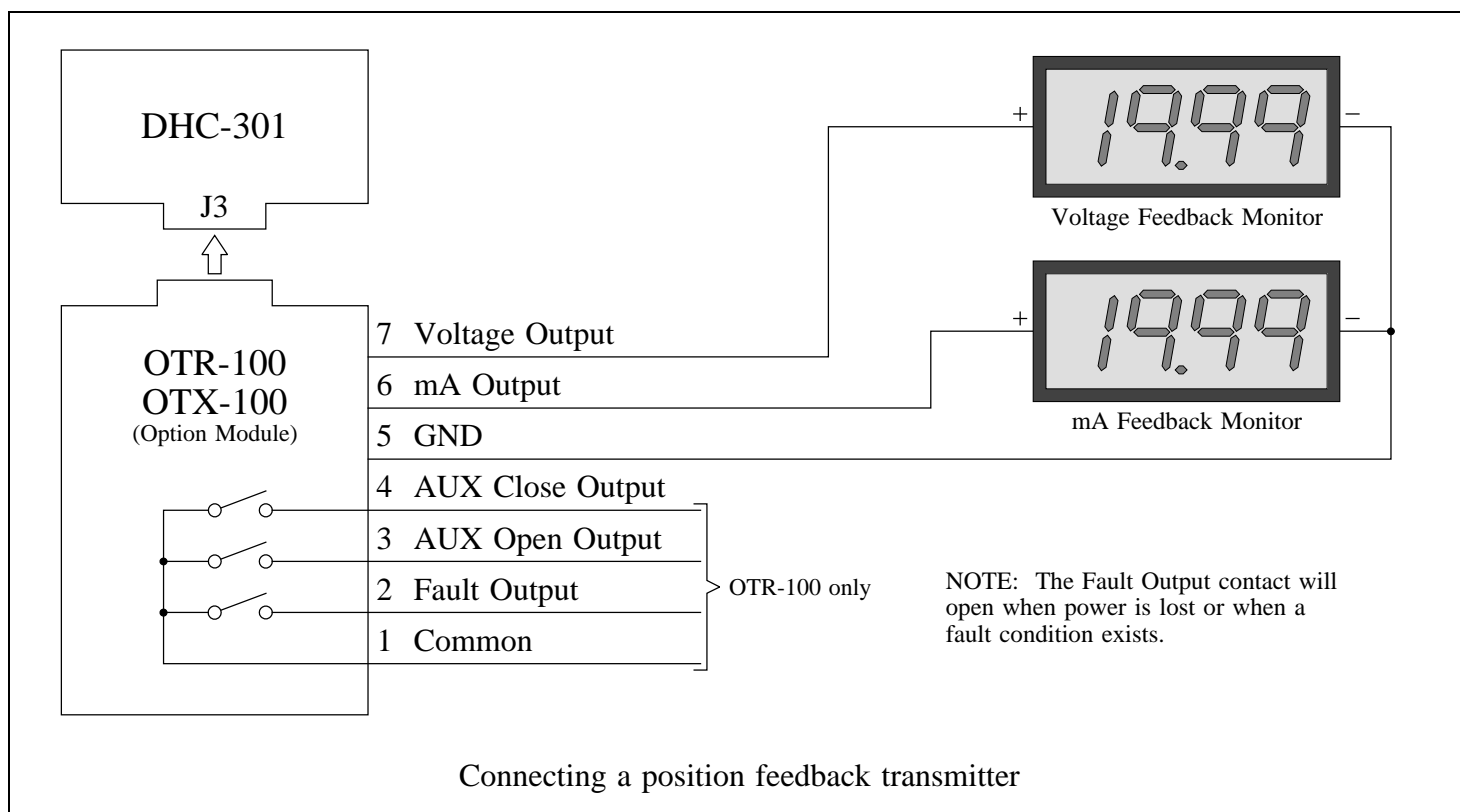


## WIRING DIAGRAMS

### Output Configurations



NOTE: When the DHC-301 is in the manual mode, the ▲ button operates Control 1 Out, and the ▼ button operates Control 2 Out.



NOTE: The Fault Output contact will open when power is lost or when a fault condition exists.

## WIRING DIAGRAMS

### Special Applications

