

PEAKTRONICS

DHC Series Option Modules

The Peaktronics OTR-100 and OTX-100 Option Modules are specifically designed for use with the Peaktronics DHC-100x, DHC-200x, DHC-300, DHC-301 and DHC-500 Series controllers **only**. Both modules provide an output signal that can be scaled to any range from 0 to 20mA (for the current output) or from 0 to 10V (for the voltage output). The OTR-100 also has three relay contact outputs that can be used to drive alarm devices or provide process limit switches.

When plugged into a DHC controller (see below), the current or voltage output is easily calibrated to any desired current or voltage range. The DHC controller's datasheet describes the function and calibration of the output signal and relay contacts.

SPECIFICATIONS

CURRENT OUTPUT

0 to 20mA @ 8VDC or 400Ω maximum
Resolution: 0.0031mA

VOLTAGE OUTPUT

0 to 10VDC @ 10mA maximum
Resolution: 0.0016VDC

RELAY OUTPUTS

Switch Contact Type: SPST
Contact Rating (non-inductive):
1A @ 24VDC / 0.5A @ 125VAC

ENVIRONMENTAL

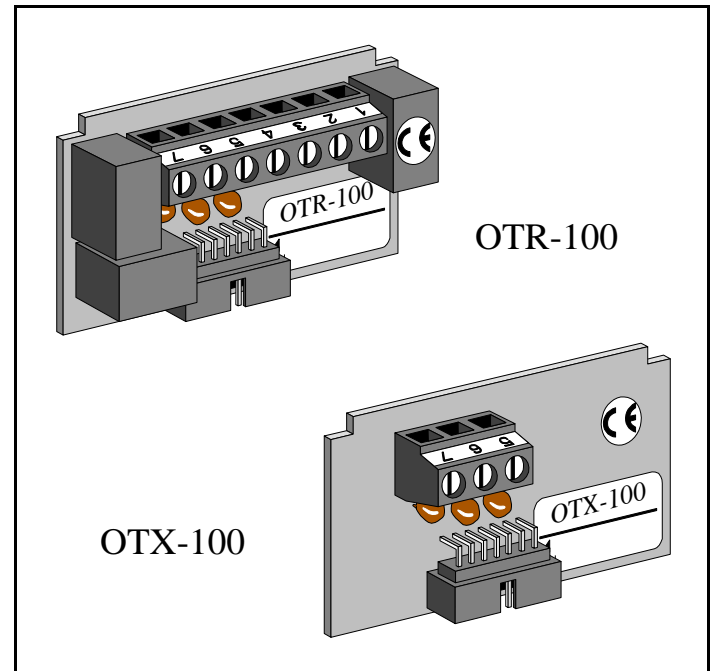
Operating Temperature: 0 to 60 °C
Storage Temperature: -40 to 85 °C
Relative Humidity: 0 to 90 % (non-condensing)

OTR-100

V/mA Feedback Transmitter / Relay Output

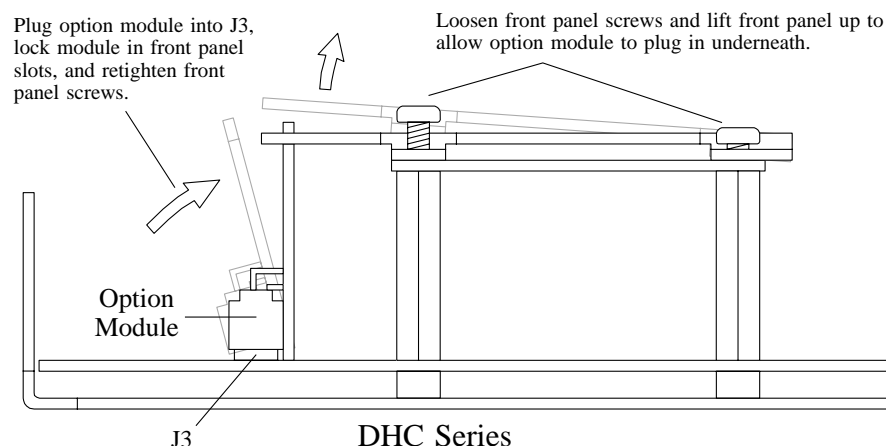
OTX-100

V/mA Feedback Transmitter



CE CERTIFICATION

EN55011 (Class A RF Emission)
EN61000-4-2, EN61000-4-3, EN61000-4-4
EN61000-4-5, EN61000-4-6, EN61000-4-11
Peaktronics reference document: 1001-6A

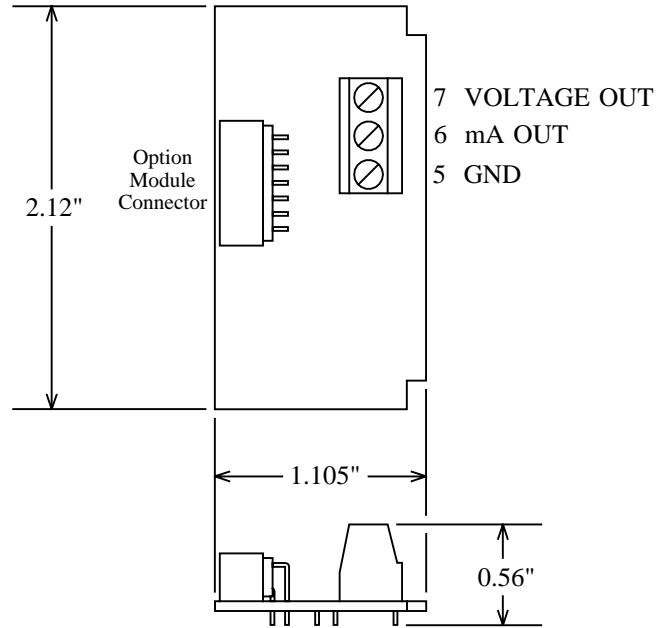
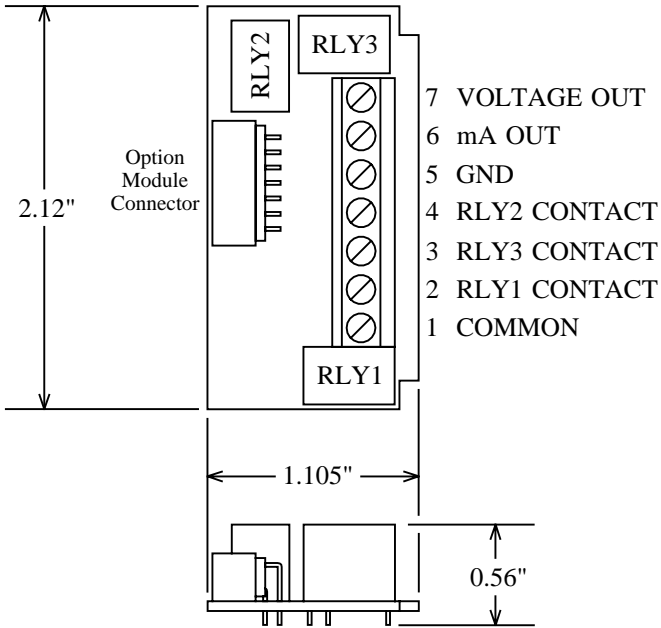


DHC Series
Installing an Option Module

OUTLINE

OTR-100 ☺

OTX-100 ☺



TYPICAL APPLICATION

