

PEAKTRONICS

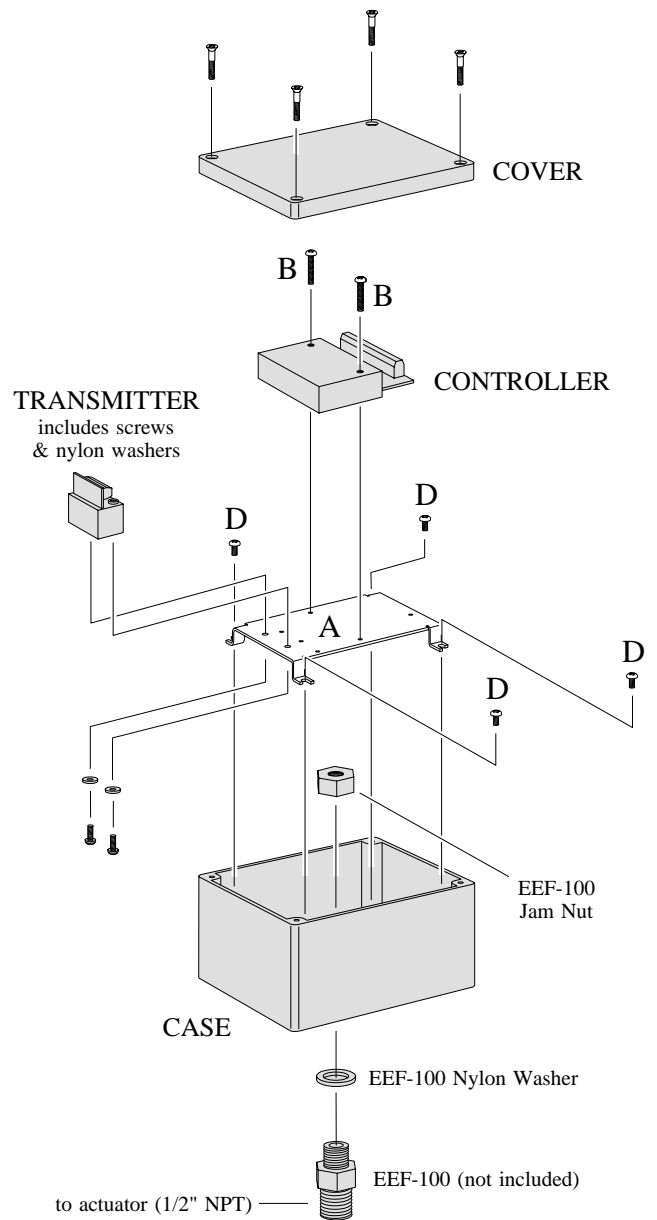
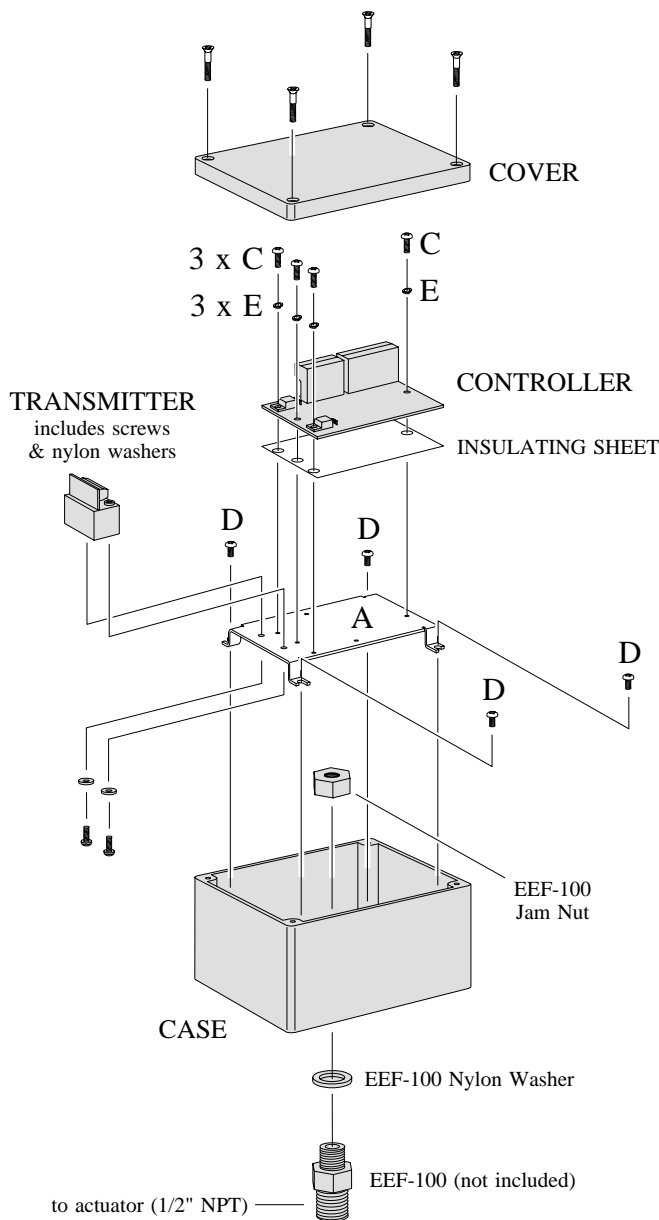
SUB-100

Actuator Controls Subpanel

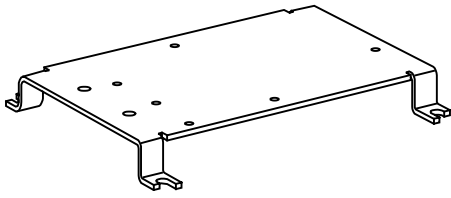
The Peaktronics SUB-100 subpanel provides an easy way to mount Peaktronics actuator controls in an external housing to add advanced controls (positioners, timers, etc.) to small actuators. The SUB-100 is designed to directly mount in a Bud AN-1305 NEMA 4 enclosure, and comes with the hardware to mount the controls and subpanel (see below).

ASSEMBLY DIAGRAM - standard controller

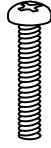
ASSEMBLY DIAGRAM - miniature controller



PACKAGE CONTENTS



A



B



C



D



E

ITEM	QTY	DESCRIPTION
A	1	subpanel
B	2	#6-32 x 0.75" pan head screw
C	4	#6-32 x 0.375" pan head screw
D	4	#6-32 x 0.25" self-tapping pan head screw
E	4	#6 split ring lockwasher

OUTLINE

