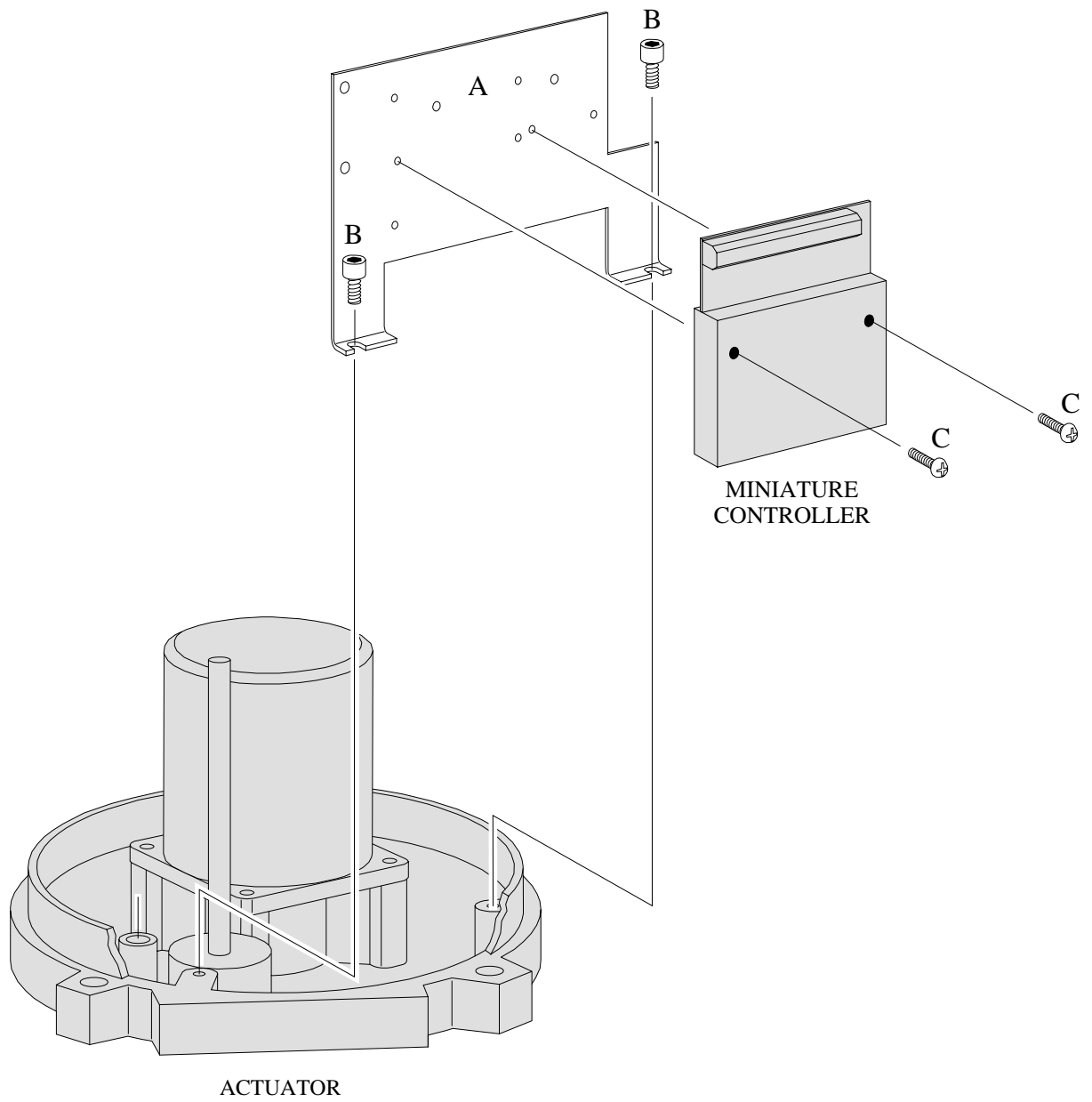
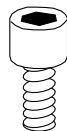
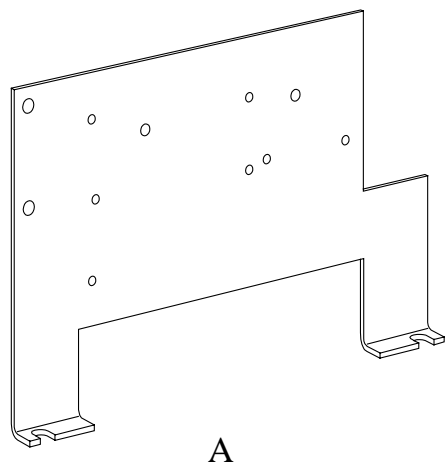


ASSEMBLY DIAGRAM

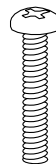
I-Tork ITQ0160 to ITQ1100 Actuators



KIT CONTENTS



B



C



D



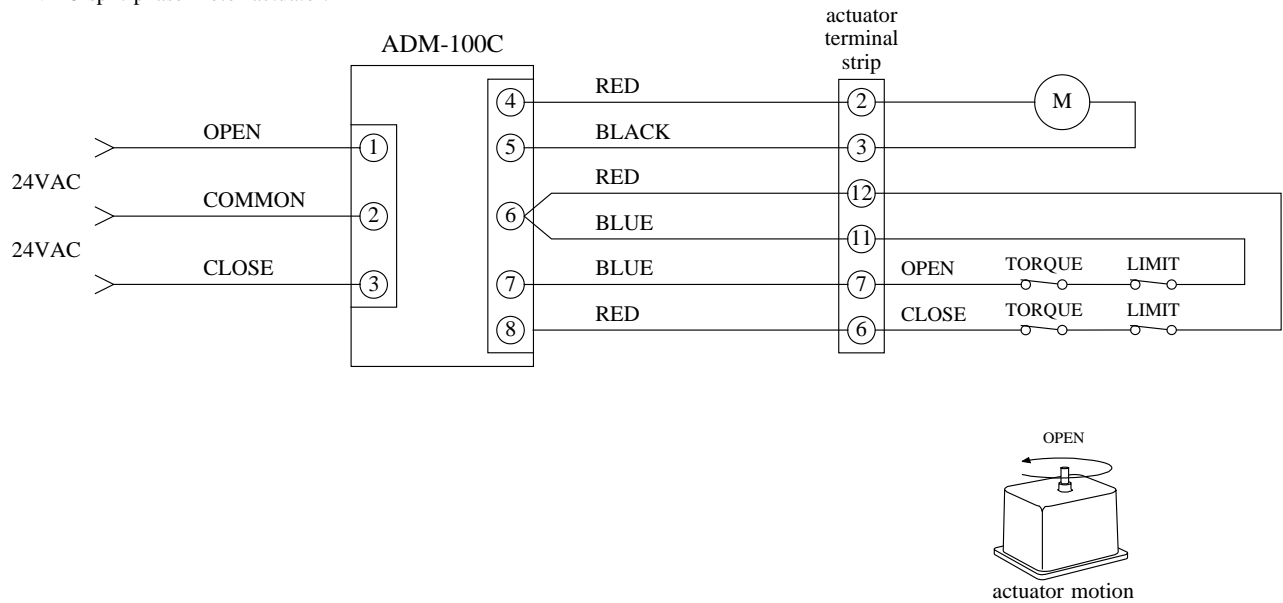
E

ITEM	QTY	DESCRIPTION
A	1	positioner bracket
B	2	5mm/0.8mm X 10mm socket head cap screw
C	2	#6-32 X 0.75" pan head screw
D	4	#6-32 X 0.375" pan head screw
E	4	#6 split ring lockwasher
not shown	4	12" red wire
not shown	2	12" blue wire
not shown	1	12" white wire
not shown	2	12" black wire
not shown	4	6.3" nylon tie wrap

AC to DC MODULE

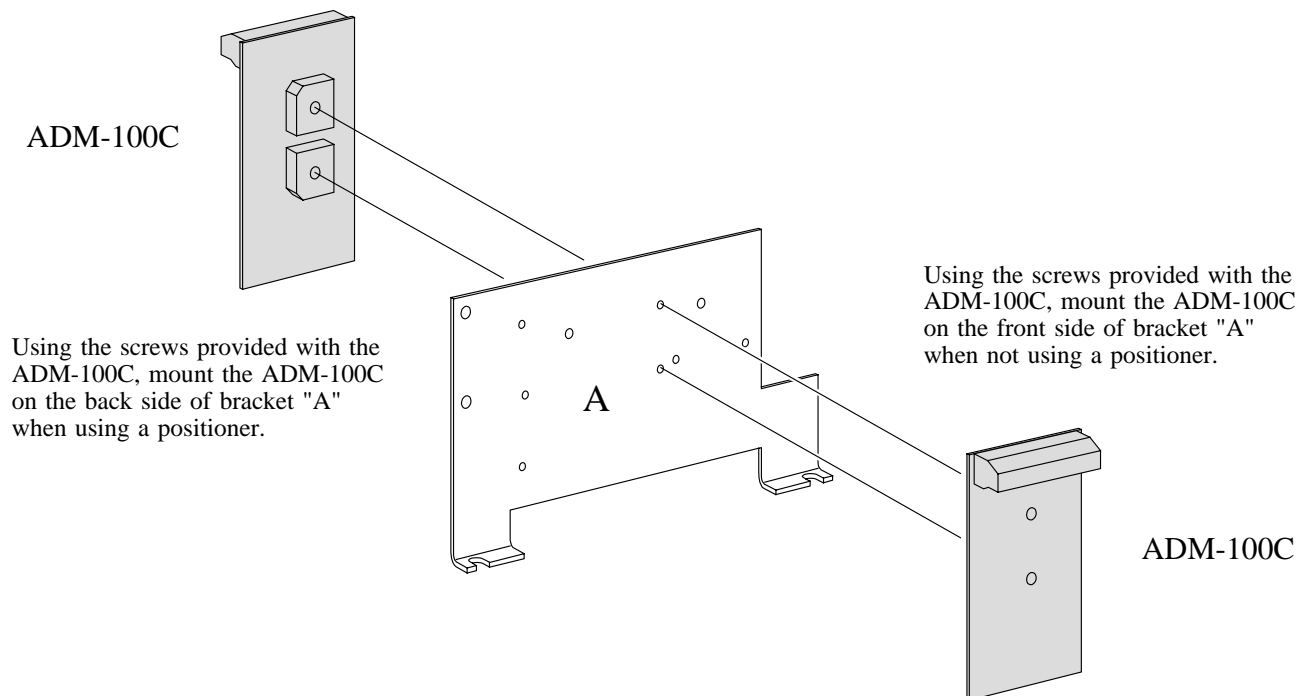
Wiring Diagram for I-Tork actuators
ITQ0160, 0240, 0350

The ADM-100C AC to DC Module allows a 24VDC actuator to be controlled like a 24VAC split-phase motor actuator.



ADM-100C MOUNTING

I-Tork actuators ITQ0160, 0240, 0350

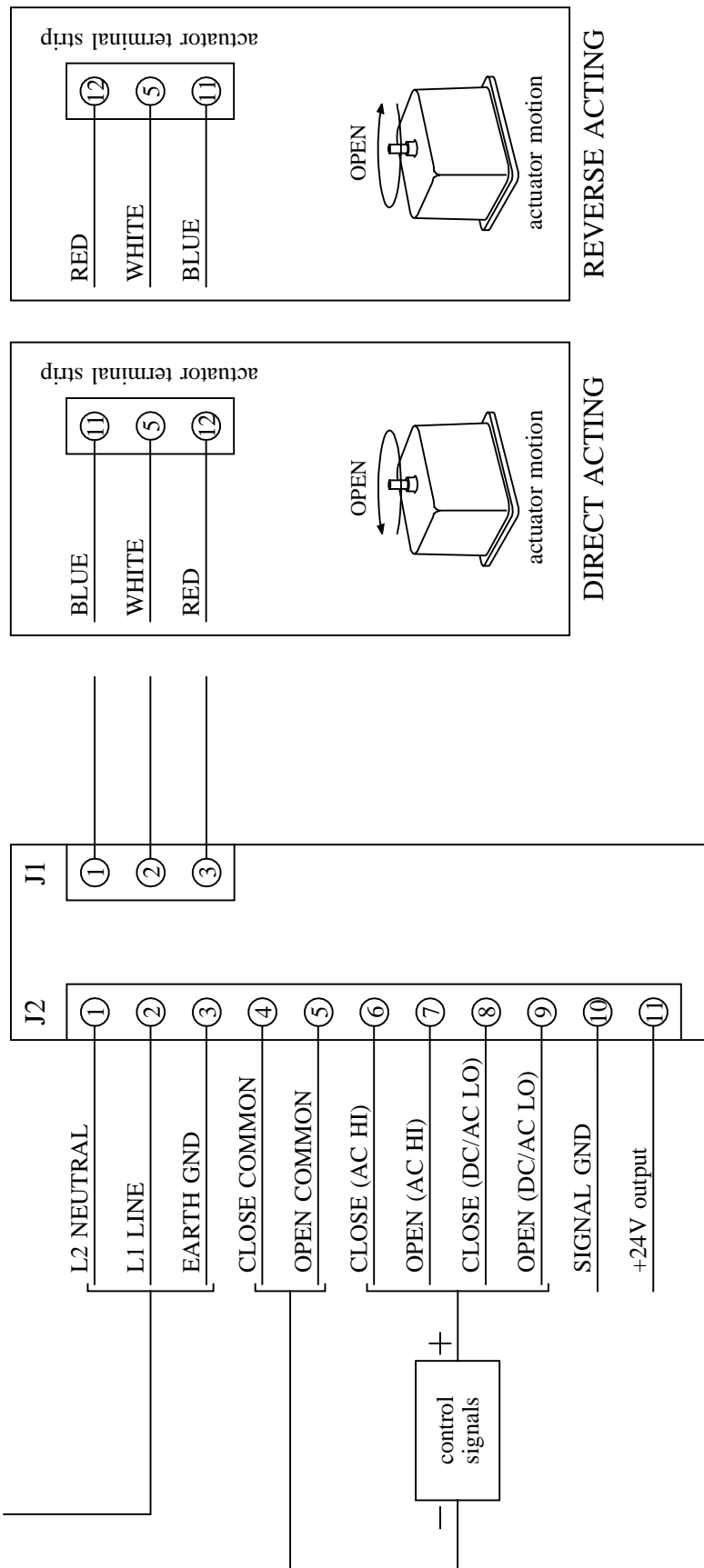


AC ON/OFF CONTROLLERS

I-Tork ITQ0160, 0240, 0350, 0500, 0800, 1100 Actuators

WIRING DIAGRAM

117VAC AMI-103
234VAC AMI-103A



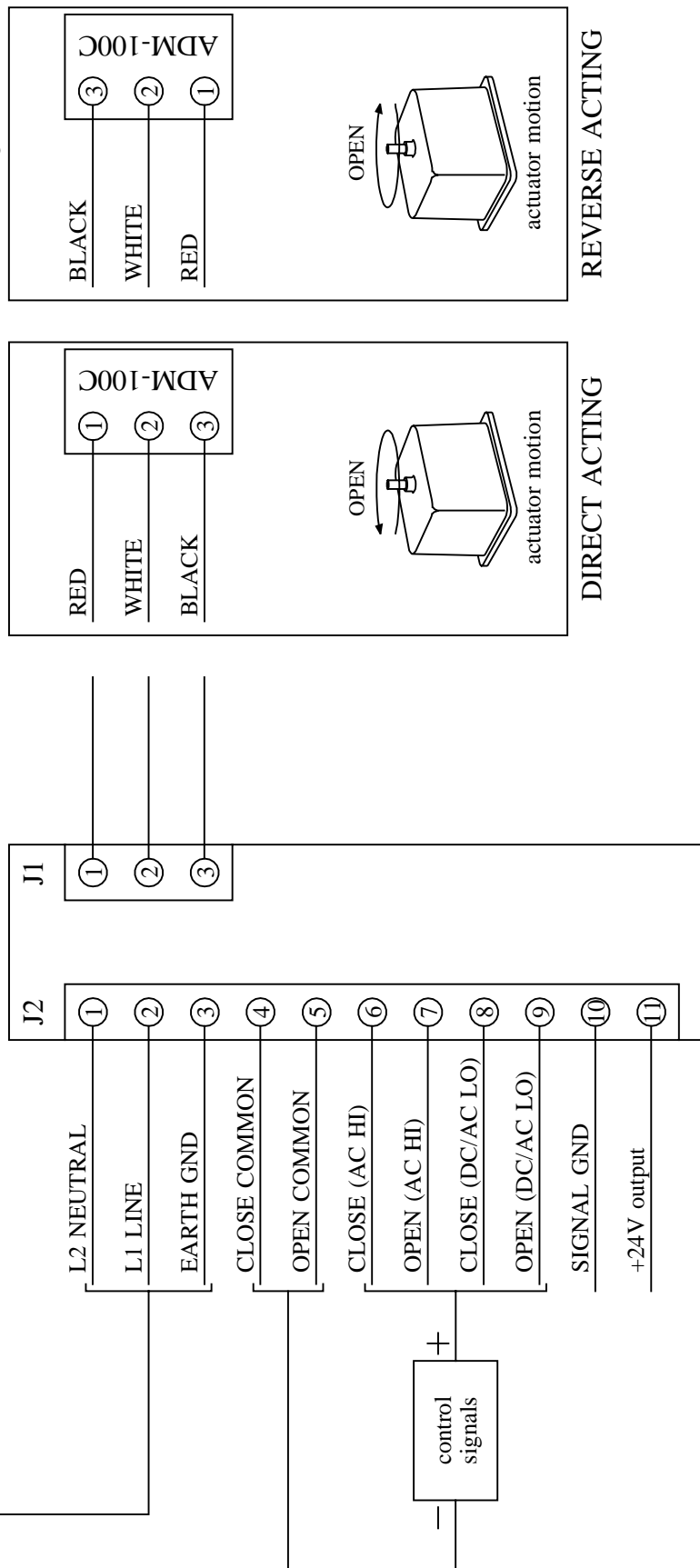
24VAC ON/OFF CONTROLLER

WIRING DIAGRAM

I-Tork ITQ0160, 0240, 0350 Actuators

24VAC AMI-103B

NOTE: This application uses a 24VDC actuator with an ADM-100C AC to DC Module installed. See ADM-100C wiring.

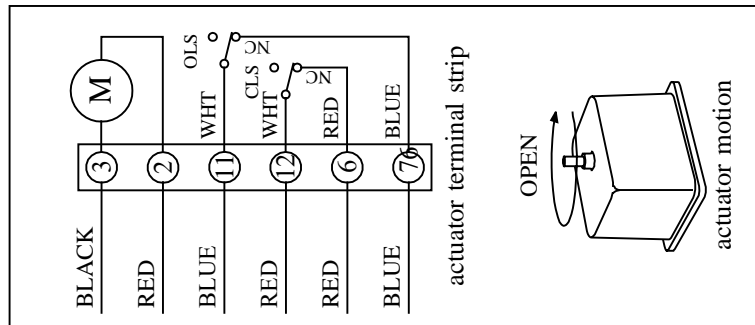
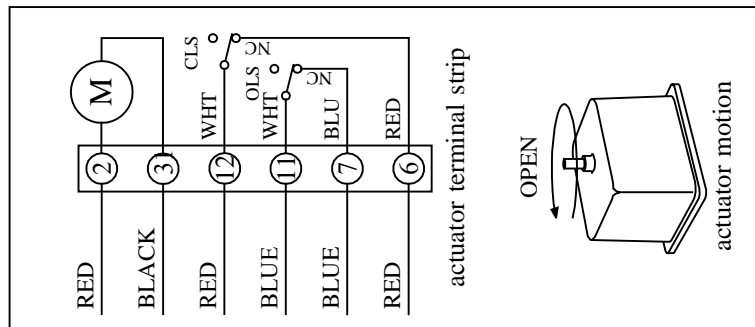
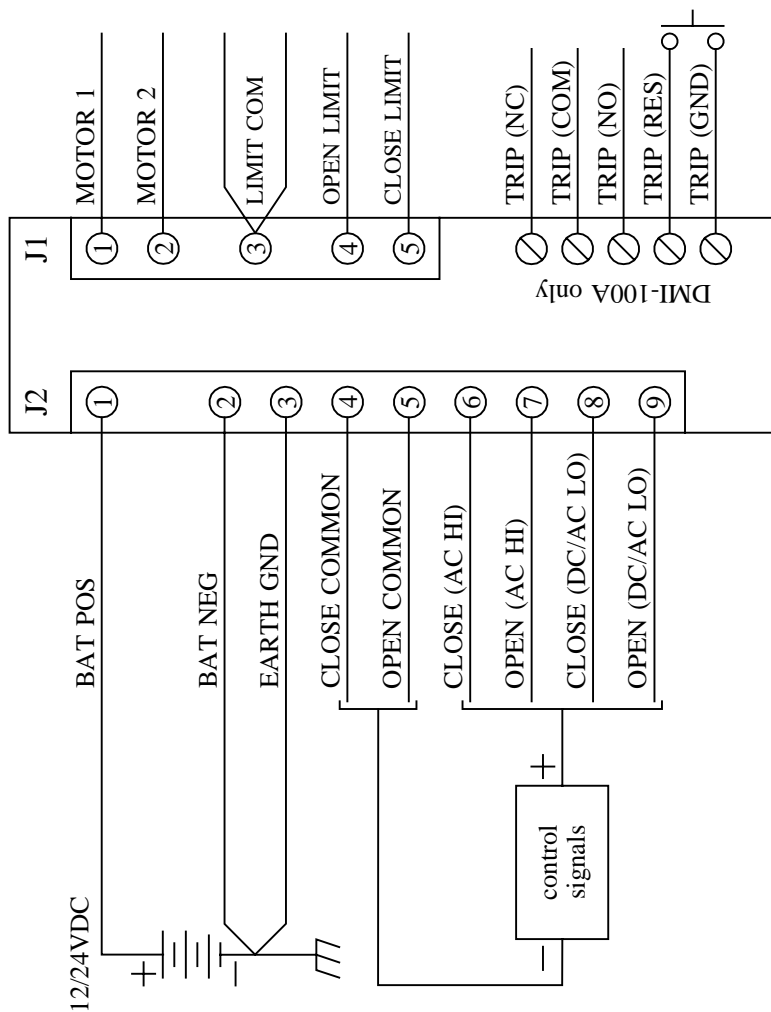


DC ON/OFF CONTROLLERS

WIRING DIAGRAM

I-Tork ITQ0160, 0240, 0350 Actuators

DMI-100 / DMI-100A



AC SEQUENCE TIMERS

WIRING DIAGRAM

I-Tork ITQ0160, 0240, 0350 Actuators

117VAC AST-100
234VAC AST-100A

