

PEAKTRONICS

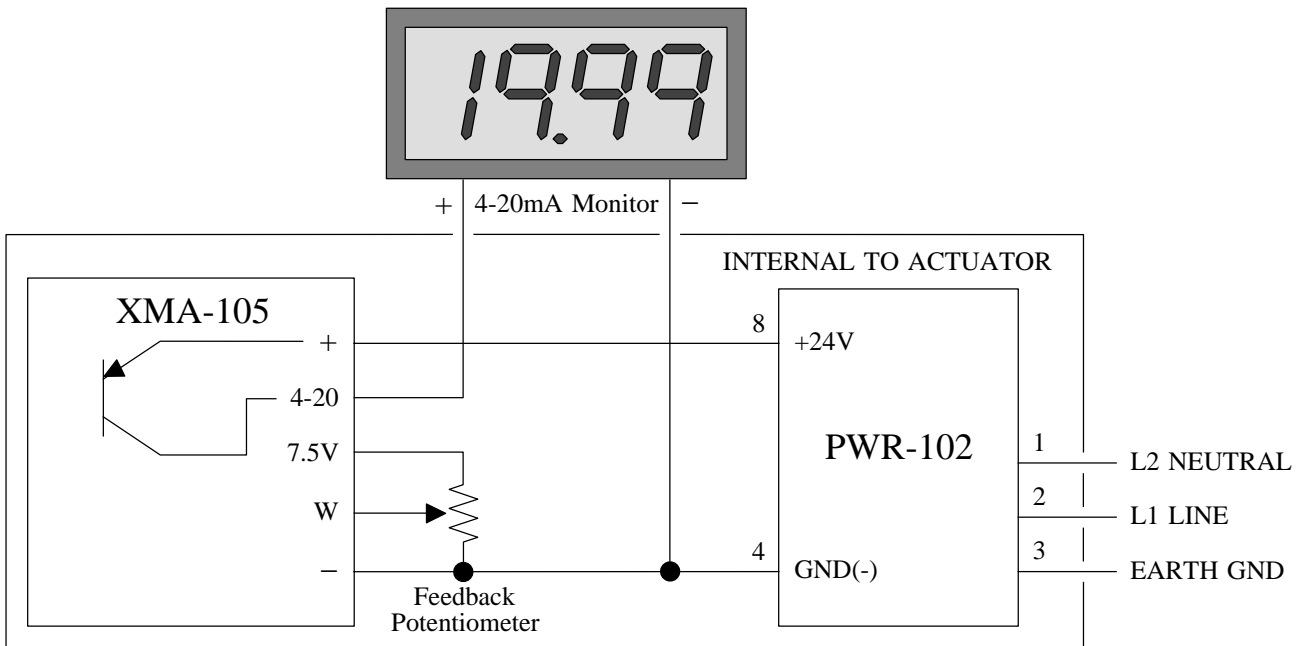
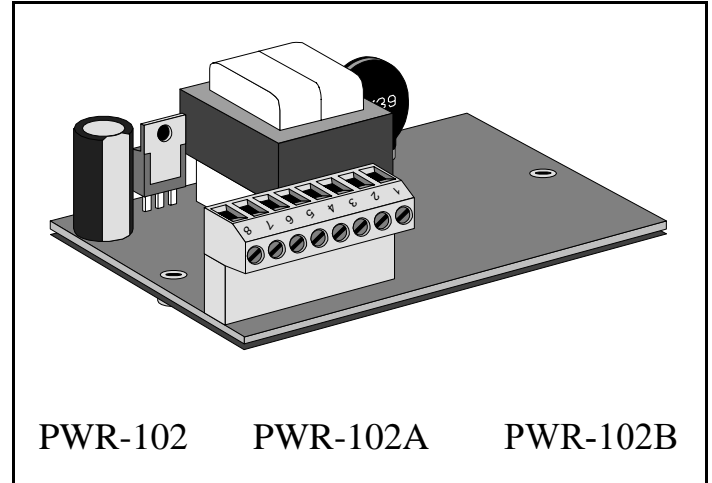
PWR-102

24VDC Power Supply

The Peaktronics PWR-102 series is a general purpose 24VDC power supply module intended to power up to three 4-20mA current loops. Its compact size allows it to be mounted in a variety of enclosures. The unit is easily mounted with two screws through the on-board standoffs, and the insulating sheet (included with the unit) allows it to be mounted directly to a metal bracket or subpanel.

The PWR-102 series is especially useful when used with Peaktronics mounting kits for actuators (see selector guides). In this typical application shown below, the PWR-102, XMA-105 4-20mA transmitter and feedback potentiometer can be mounted inside of the actuator.

The PWR-102 is designed to operate at 117VAC, PWR-102A is 234VAC while the PWR-102B is for 24VAC applications, the input voltage tolerance is $\pm 10\%$ at 50/60Hz. All units are capable of 60mA of output current and an operating temperature range of 0 to 60°C.

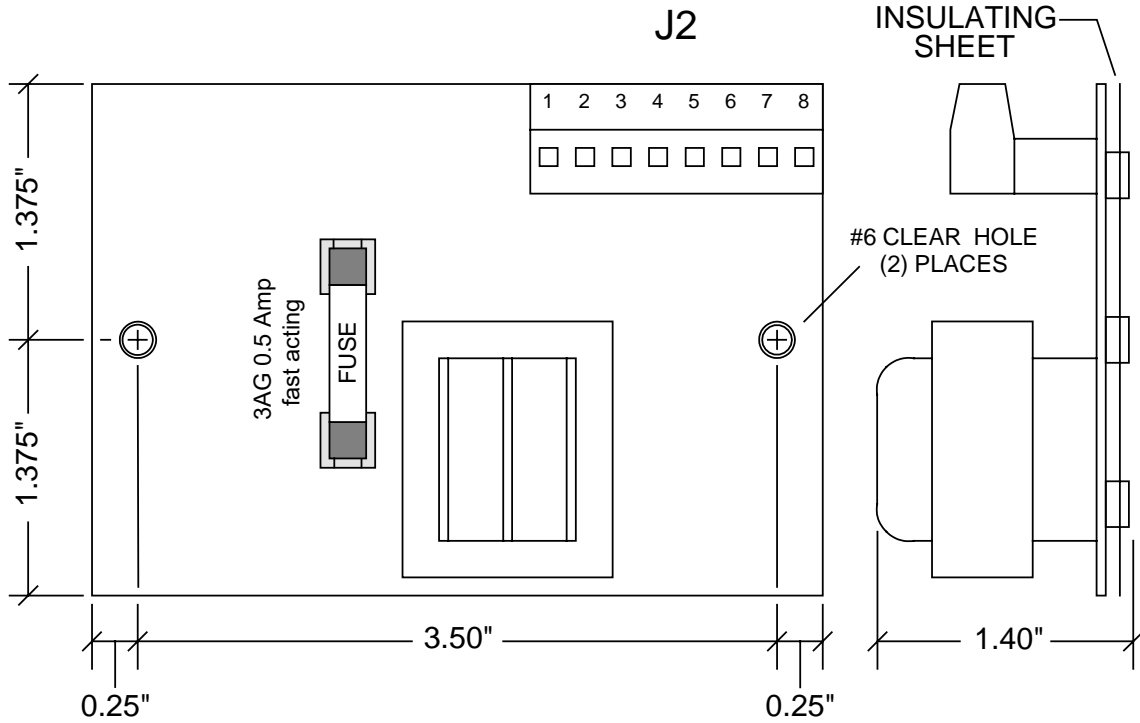


TYPICAL APPLICATION

PWR-102 117VAC

PWR-102A 234VAC

PWR-102B 24VAC



ELECTRICAL CONNECTIONS

